

Drywall Mounting Plate-DMP

For WOODFORD Model 22 Series Wall Faucets



For more information contact...

WOODFORD MANUFACTURING COMPANY, LLC.

2121 Waynoka Road, Colorado Springs, Colorado 80915 • Phone: (800) 621-6032

To view our complete product line visit: www.woodfordmfg.com or email: sales@woodfordmfg.com

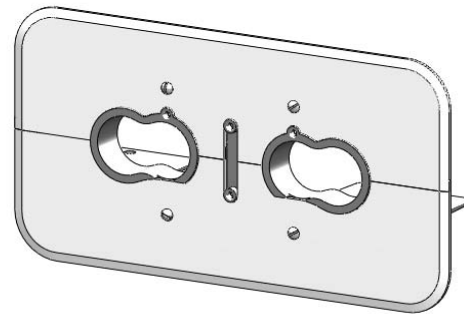
The Woodford Drywall Mounting Plate (DMP) is an available option for mounting a Woodford Model 22 or V22 and 122 or V122 (mild climate) models.

The DMP provides

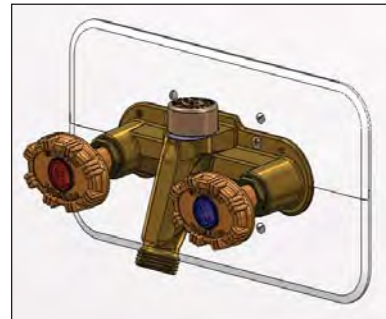
- a secure anchor for the faucet
- clean and precise drywall installation
- fire retardant plastic

The DMP Mounting Plate can be configured in a horizontal or vertical position ready for faucet installation and plumbing hook-up.

Made from strong PC/ABS, the 4" X 9¼" Mounting Plate is designed to space the faucet wall flange away from 5/8" thick drywall just enough for finishing off with two mating Cover Plates leaving a durable and protective installation.



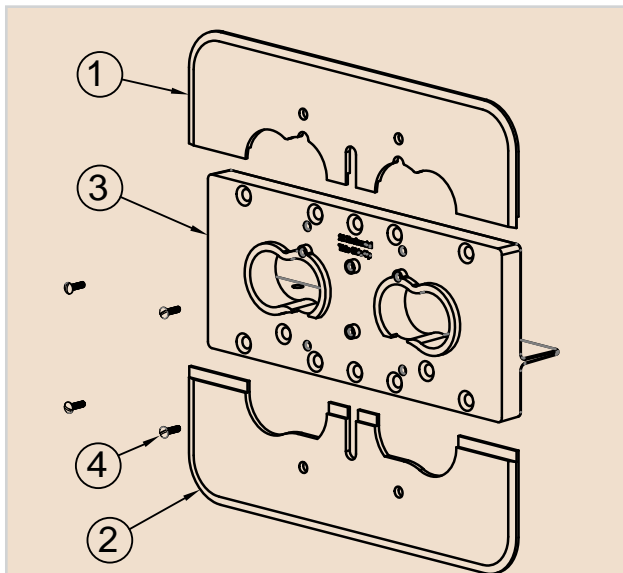
Patent Pending



Model 22 or 122 with DMP on Finished Drywall.
Model 22 Sold Separately



Model V22 or V122 with DMP on Finished Drywall.
Model V22 or V122 Sold Separately



DMP Parts:

1. 30600 Cover Plate
2. 30601 Cover Plate
3. 30602 Mounting Plate
4. 30603 White Headed Screws (4)
5. 30604 Sheet Metal Screws (2) *Not Shown*
6. 30823 Wood Screws (4) *Not Shown*

See reverse side for Installation Instructions.

INSTALLATION INSTRUCTIONS



For more information contact...

WOODFORD MANUFACTURING COMPANY

2121 Waynoka Road, Colorado Springs, Colorado 80915 • Phone: (800) 621-6032 • Fax: (800) 765-4115

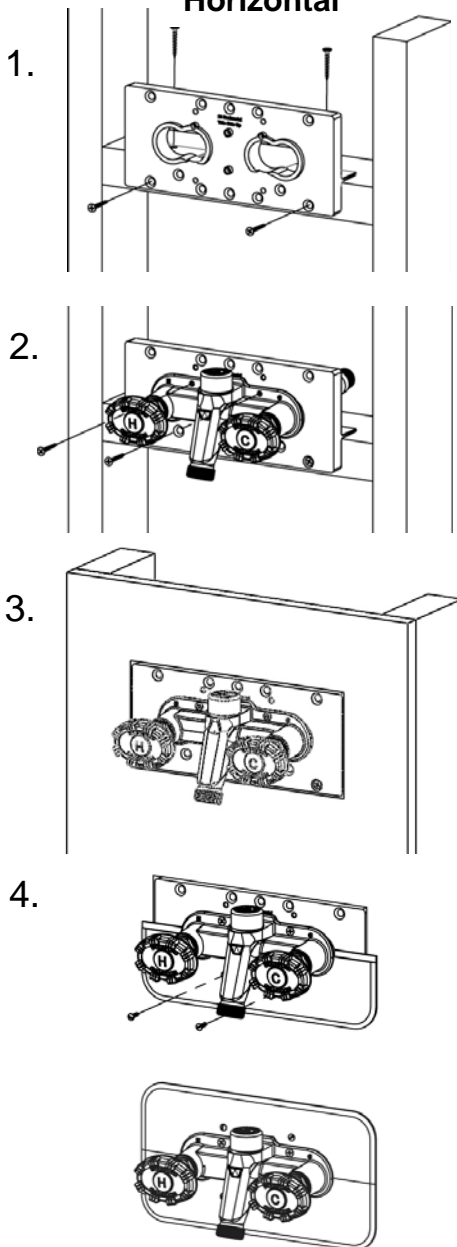
To view our complete product line visit: www.woodfordmfg.com or email: sales@woodfordmfg.com

A Division of WCM Industries, Inc.

Rev 09/10
Form No. IIDMP.103

Drywall Mounting Plate-DMP For Models 22, 122, V22 or V122 Hot & Cold Wall Faucets

22/122
Horizontal



Steps for installing the Model 22, 122, V22, and V122 on an interior, drywall finished, wall using the Woodford Drywall Mounting Plate.

DMP Parts List:

- (1) 30600 Cover Plate
- (1) 30601 Cover Plate
- (1) 30602 Mounting Plate
- (4) 30603 White Headed Screws
- (2) 30604 Sheet Metal Screws
- (6) 30823 Wood Screws

1. Install the 4" x 9 1/4" Mounting Plate on a horizontal 2X4 or a vertical 2X4 and secure the rear screw flanges with Wood Screws. Holes are provided for additional screws if needed.
2. Install the Model 22/122 or V22/V122 through holes in the Mounting Plate and secure with (2) 5/8" long Sheet Metal Screws.
3. Cut and fit 5/8" drywall over the Mounting Plate. A maximum 1/4" gap all around is permissible. *Drywall finishing and/or painting is advisable at this time.*
4. Slide the Cover Plates under the faucet flange until all mounting holes align. Install (4) White Headed Screws to secure plate. *If holes do not align, swap plates.*

122/V122
Vertical

