

This unit offers backflow and bursting protection.
 The Woodford Model C22 chrome plated commercial wall faucet is designed for irrigation purposes to provide year-round hot and cold water service regardless of outside temperature. Separate hot and cold inlet tubes and operating handles allow for manually operated water temperature control. Use on any commercial structure where intermittent hot and cold water service is required.

Freezeless Hot & Cold Wall Faucet Model C22/B22



Available in two models:

- Model C22 - Chrome Plated
- Model B22 - Chrome Plated
- Includes flush mounted chrome plated brass box*
 - B22 available in rough brass: B22-BR

SPECIFICATIONS:

MODEL 50HA BACKFLOW PREVENTER -

Patent Pending

- ASSE 1052 Approved
- Listed by IAPMO
- Field Testable
- Two Independent Check Valves
- Drains automatically when hose is removed
- No spray back



- Nozzle** - 3/4" male hose thread
- Valve Operating Threads** - Full circle threads on valve body and retainer
- No Lead Solder** - All solder joints
- Seat Washer** - Standard "O" size
- Max. Pressure** - 125 p.s.i.
- Max. Water Temperature** - 120° F

FEATURES:

- An internal resetting pressure relief valve prevents the faucet casing tube from bursting in freezing conditions even if a hose is unintentionally left on.
- 5" center to center handle spacing.
- Faucet drains automatically when hose is removed.
- Permanent stainless steel seat will not wire draw.
- EPDM packing to prevent leaking.
- Loose Tee Key - optional

Model C22 Shipping Weight

Wall Thickness (inches)	CC	4	6	8	10	12	14	16	18	20	22	24
Shipping Wt. Ea. (lbs)	2.8	3.1	3.3	3.5	3.8	3.9	4.2	4.6	4.8	5.0	5.2	5.4

Add 14.7 Lbs. for B22 (box) models.

- **U.S. Patents and patents pending:**
 For Patent Information see:
[HTTP://www.Woodfordmfg.com/Patents](http://www.Woodfordmfg.com/Patents)

**For Installation / Troubleshooting Instructions go to
www.woodfordmfg.com or call 1-800-621-6032**



Model C22

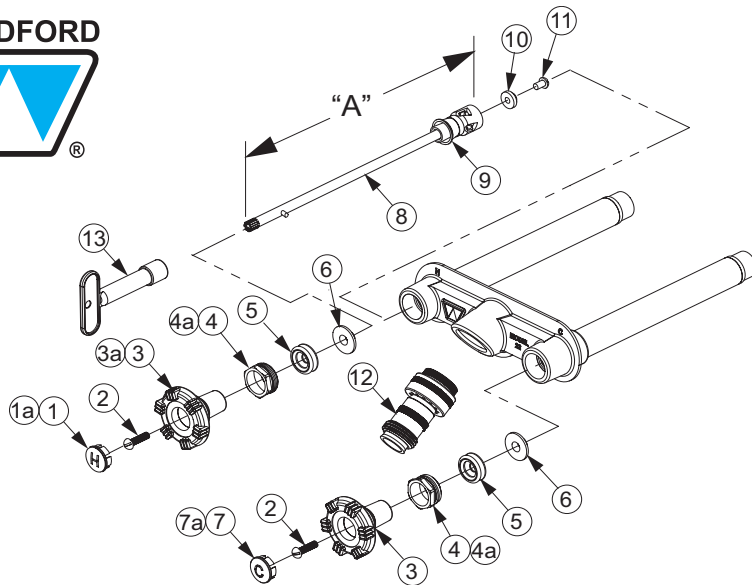


Model B22

INLET OPTIONS

	<p>C INLET COMBINATION Copper Sweat Fitting 1/2" K,L or M Inside 3/4" M Only Outside</p>
	<p>CP INLET COMBINATION 1/2" Male Pipe Thread 1/2" Female Sweat</p>
	<p>C3 INLET 3/4" Female Sweat Fitting</p>
	<p>P INLET COMBINATION 1/2" Female Pipe Thread 3/4" Male Pipe Thread</p>
	<p>PX INLET 1/2" PEX Tube Fitting PX3 INLET 3/4" PEX Tube Fitting</p>
	<p>C1 INLET 1/2" Female Sweat Fitting 22 Close Coupled ONLY</p>

When ordering, specify model, inlet and wall thickness

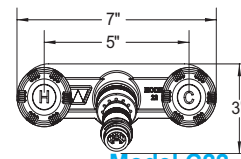
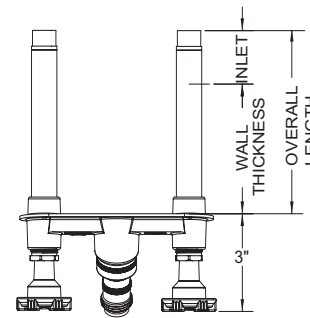


**RK-PRV
DIMENSION "A"**

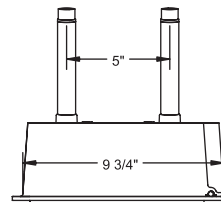
Wall Thickness	Length
4	5 7/8"
6	7 7/8"
8	9 7/8"
10	11 7/8"
12	13 7/8"
14	15 7/8"
16	17 7/8"
18	19 7/8"
20	21 7/8"
22	23 7/8"
24	25 7/8"

MODEL C22 & B22 PARTS LIST

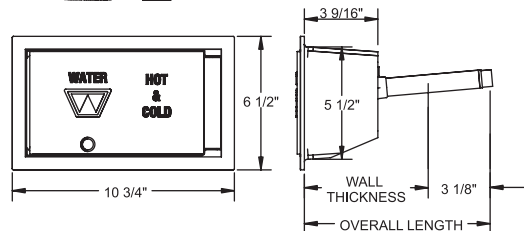
ITEM	PART#	DESCRIPTION
1	30463	Plug Button-H-Red (for plastic handle)
1a	30566	Plug Button-H-Red (for metal handle) <i>Optional</i>
2	30002	Handle Screw (2)
3	30542	Wheel Handle - Clear (2)
3a	30096	Wheel Handle - Metal (2) <i>Optional</i>
4	30539	Packing Nut - Chrome (2)
4a	30059	Packing Nut - Brass (2) <i>Optional</i>
5	30560	EPDM Packing (2)
6	30006	Packing Support Washer
7	30462	Plug Button-C-Blue (for plastic handle)
7a	30565	Plug Button-C-Blue (for metal handle)
8	RK-PRV	PRV Valve Stem Assembly (See chart)
9	30459	Check Valve (2)
10	30008	Valve Seat Rubber (2)
11	30804	Retainer Screw (2)
12	50HA-CH	50HA Backflow Preventer - Chrome
	50HA-BR	50HA Backflow Preventer - Brass
13	50012	Tee Key
	RK-22MH	Repair Kit (Metal Handles) Includes
	Brass Parts	1 ea: Item 1a, 7a, 2 ea: Items 2, 3a, 4a, 5, 6, 9, 10, 11



**Model C22
Rough-In Dimensions**



**Model B22
Rough-In Dimensions**



*Overall Length Dimension:

C22: Add wall thickness and inlet option length shown in chart on front of this sheet.

B22: Add wall thickness plus 3 1/8".

C22CC: Close Coupled O.A.L. is 2-3/4".

B22CC: Close Coupled O.A.L. is 6 1/8"

INSTALLATION REQUIREMENTS:

- The faucet length used is to be comparable to what would be used with standard freezeless faucets.
- The inlet connection must be located in a heated area.
- The gap between the house and faucet must be sealed to prevent air leaks
- The faucet must be installed with a slight downward pitch toward the nozzle.
- Adequate insulation is required around the faucet, wall board and sill plate.

Ask your Woodford representative about warranty details or visit www.woodfordmfg.com.

For more information contact...

WOODFORD MANUFACTURING COMPANY, LLC.

2121 Waynoka Road, Colorado Springs, Colorado 80915 • Phone: (800) 621-6032 • Fax: (800) 765-4115

To view our complete product line visit: www.woodfordmfg.com or email: sales@woodfordmfg.com