

The Woodford, RHMC-MS Roof Hydrant is intended for irrigation purposes and provide water availability on commercial building roofs in non-freezing mild climate areas. Applications include window washing, cleaning of condenser coils, cooling towers, green roofs and other types of roof top equipment. The RHMC is backflow protected with a field testable ASSE 1052 dual check backflow preventer.

The RHMC-MS *with* Mounting System allows for installation flexibility. It is not necessary to install hydrant when hydrant support is mounted to the roof. The hydrant support utilizes a 3" diameter opening that allows the hydrant to be installed or easily removed at a later time. All necessary mounting hardware for proper installation on a commercial roof is supplied, including a 2 degree shim for pitch adjustment.

Hydrant Features:

- Brass Head casting
- EPDM packing prevents leaking
- Adjustable packing nut brass nut with deep stem guard
- Standard "O" size seat washer
- Powder coated metal wheel handle
- All hydrant repairs can be made from top without removing hydrant

Specifications:

- Hose Connection Backflow Preventer:
 - Model 50HF with 3/4" hose connection
 - ASSE 1052 Listed
 - Field Testable Dual Check holds against 125 psi backflow pressure
- 1" N.P.T. male inlet connection.
- 1" U.S. made galvanized pipe.
- **Maximum Working Pressure:** 125 p.s.i.
- **Maximum Temperature:** 120° F

Mounting System: *(Can be ordered Separately)*

- Cast iron Hydrant Support
- Cast iron Under Deck Flange
 - 4 bolts draw tight against the roof decking and the hydrant support.
 - 3 clamp screws tighten against the hydrant pipe to secure the hydrant's vertical position through the roof.
- Well Seal seals tight between the hydrant support and hydrant pipe.
- EPDM Boot covers well seal and top of hydrant support.
- 2° Shim is supplied, if needed, for installation on pitched roofs.

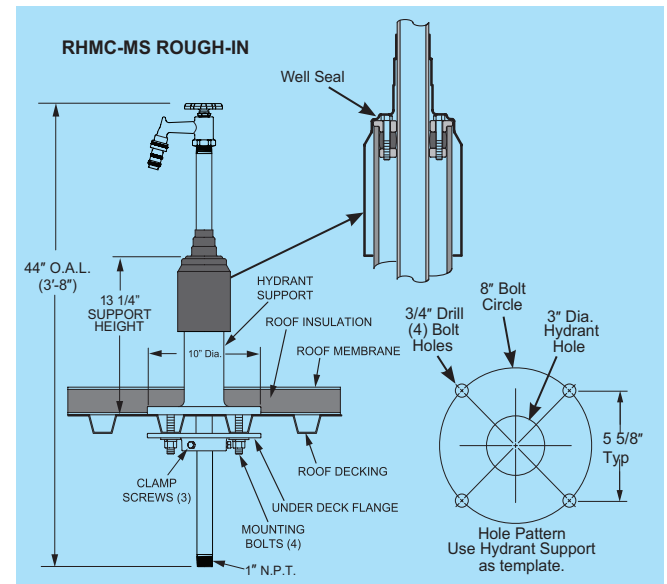
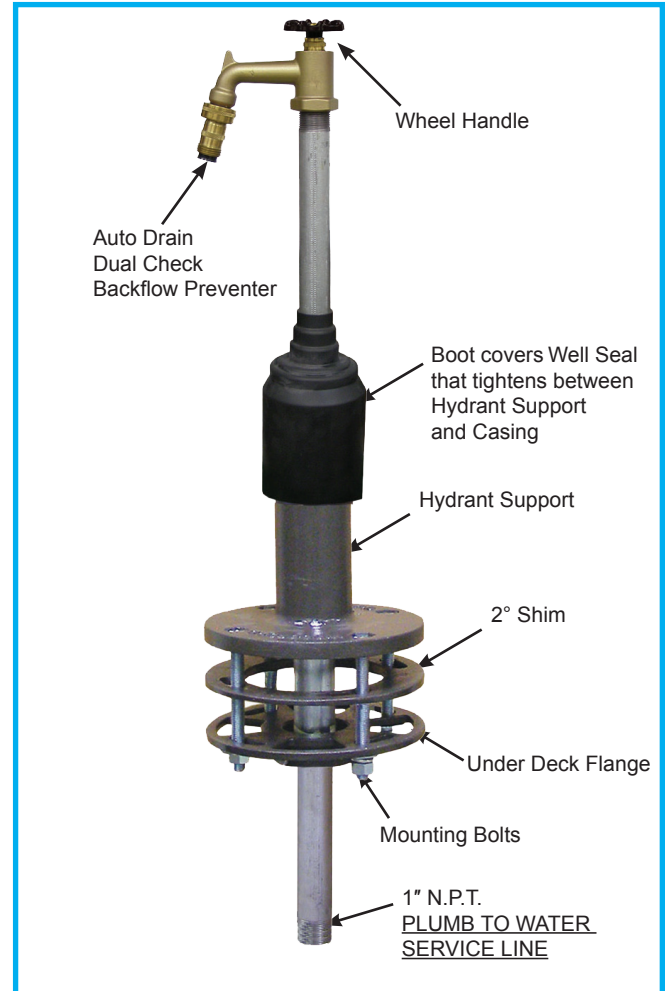
Manufactured under U.S. patent 7,472,718, 7,730,901 and patents pending.

For Installation / Troubleshooting Instructions go to www.woodfordmfg.com or call 1-800-621-6032

Mild Climate Roof Hydrant

Model RHMC-MS

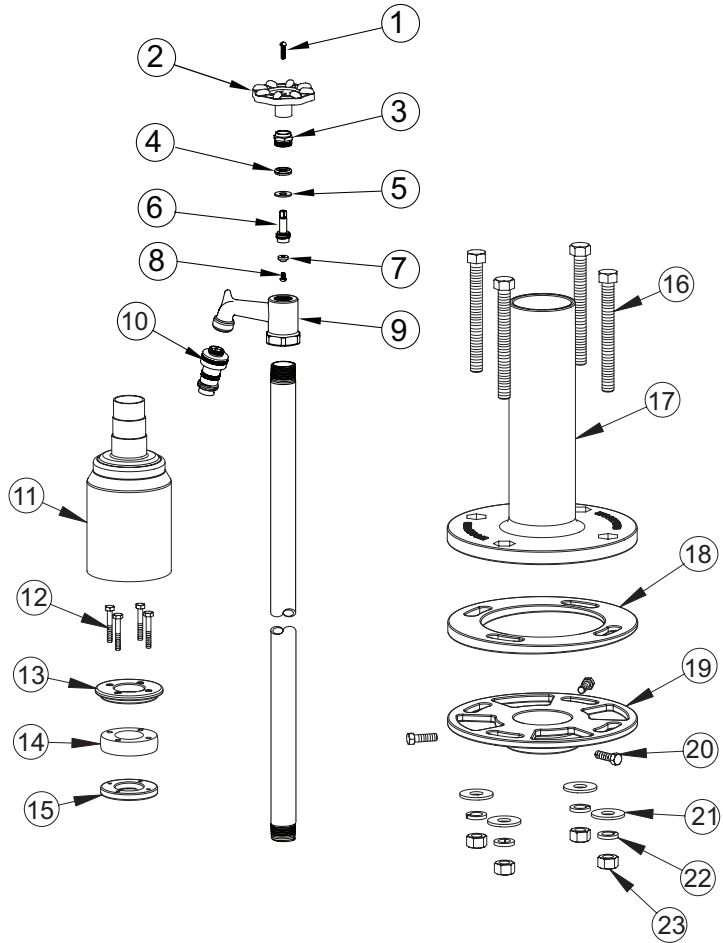
Can be ordered with or without Mounting System (MS).





MODEL RHMC-MS PARTS LIST

ITEM	PART#	DESCRIPTION
1	30002	Handle Screw - Brass
2	30239	Wheel Handle - Metal
3	30107	Packing Nut - Brass
4	30247	EPDM Packing
5	30105	Packing Support Washer
6	30104	Operating Stem
7	30008	Washer
8	30009	Washer Screw
9	10631	RHMC Head
10	50HF-BR	50HF Backflow Preventer
11	10608	RH Boot, EPDM
12	10606	Bolt, Hex Head 1/4-20 X 1 3/4" (4)
13	10628	Well Seal - 1", Top
14	10623	Well Seal - 1", EPDM
15	10629	Well Seal - 1", Bottom
16	10584	Bolt, Hex Head 5/8-11 X 6" (4)
17	10579	Hydrant Support, Casting
18	10581	2° Shim, Casting
19	10580	Under Deck Flange
20	10607	Screw, Clamp 3/8-16 Hex Head 1 1/2" Long (3)
21	10604	Washer, Plain 5/8 (4)
22	10605	Washer, Lock 5/8 (4)
23	10585	Nut, Hex 5/8-11 UNC (4)
	RK-RHMC	Repair Kit (Includes items 1-8)

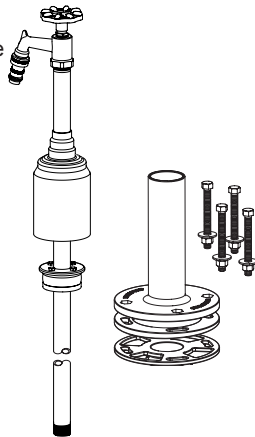


When ordering, specify RHMC part number option listed below.

Part# RHMC-MS

Consists of the complete Roof Hydrant system:
Qty. 1 RHMC Hydrant shipped in 1 carton.
Qty. 1 RH-MS Mounting System shipped in 1 carton.

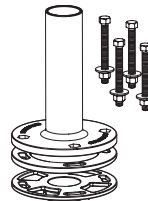
Total Shipping Wt. 2 cartons: 37 lbs



Part# RH-MS

Carton contents consists of:
Mounting System/
Rough-In Components (Parts 16-23 above)
• Hydrant Support
• 2° Shim,
• Under Deck Flange
• Mounting Bolts, Nuts, Washers.

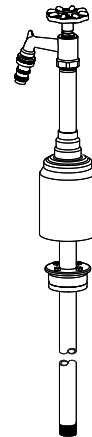
Shipped in 1 Carton.
Shipping Wt. - 30 lbs



Part# RHMC

Carton contents consists of:
• Hydrant Assembly (Parts 1-10 above plus Pipe Casing)
• Boot (Part 11 above)
• Well Seal (Parts 12-15 above)

Shipped in 1 Carton.
Shipping Wt. - 7 lbs



For more information contact...

WOODFORD MANUFACTURING COMPANY, LLC.

2121 Waynoka Road, Colorado Springs, Colorado 80915 • Phone: (800) 621-6032 • Fax: (800) 765-4115
To view our complete product line visit: www.woodfordmfg.com or email: sales@woodfordmfg.com