



Freezeless Sanitary Water Connector Thermaline®

The Thermaline® is a compact unit especially designed to provide water service to mobile homes. It is ideal wherever a freezeless sanitary tight line installation is needed, such as, waterers for livestock.

The Thermaline® is protected from freezing by a bonded polyurethane foam insulation permanently molded in a high strength plastic casing, and a 15 watt (110-120v) portable insert heater, which costs about a penny a day to operate even at 50° below zero.

The heater can be inserted and removed from the Thermaline® without interrupting the water service.

Galvanized steel riser pipe with coal-tar coating on lower end, brass fittings, structural foam protective surface cover, and extra lagre cushion valve all combine to make the Thermaline® water connector virtually maintenance free.

When not in use, wheel handle at surface level shuts off water below the frost line. Water above the frost line can be removed completely with forced air or suction pump.

SPECIFICATIONS:

Patent – <https://www.woodfordmfg.com/patents/>

HEAD - Brass casting with 3/4" N.P.T. outlet

COVER - Pressure molded polypropylene rigid structural foam

HEATER - 15 watt (110-120V) portable insert heater with grounded metal alloy sheath and 3-prong standard plug

RISER PIPE - 1" galvanized steel pipe
Optional - 1" brass pipe

Operating Pipe - 1/4" Stainless steel pipe
Optional - 1/4" brass pipe

INSULATION - Molded polyurethane foam

CASING - 3 1/4" O.D. plastic tubing

VALVE – Permanent type brass valve body with hemispherical seating surface. 3/4" N.P.T. inlet

Bury Depth (ft)	1	2	3	4	5	6	7*	8*
Weight (lbs)	6.5	9	11.5	14	16.5	19	21.5	24

*Must ship by truck line due to length.

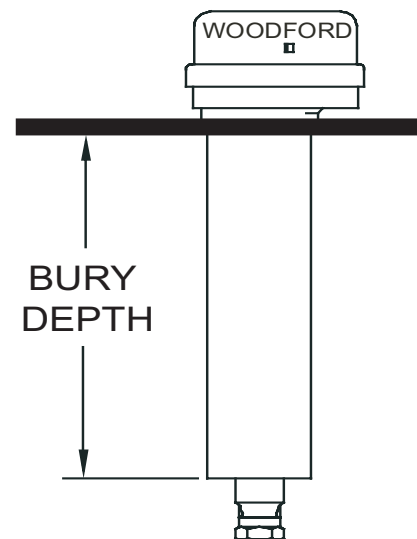
Specify as follows:

"Water Connectors shall be Woodford Thermaline_____ft. Bury, with 15 watt portable insert heater, bonded polyurethane insulation, sanitary tight-line design."

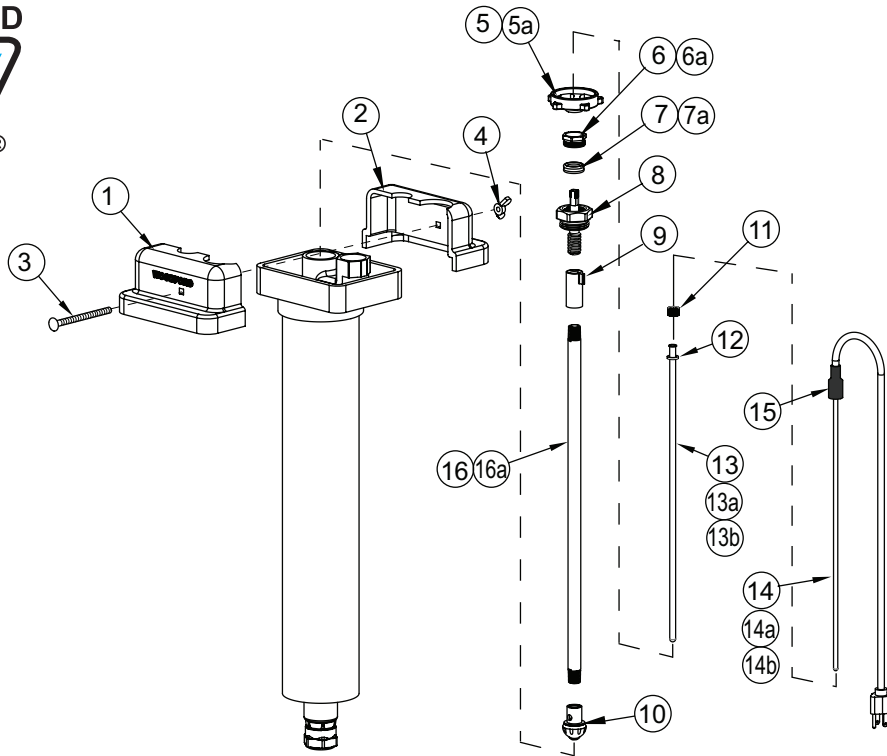
For Installation / Troubleshooting Instructions go to www.woodfordmfg.com or call 1-800-621-6032



Rough-In Dimensions



When ordering, specify model and bury depth.



THERMALINE PARTS LIST

ITEM	PART#	DESCRIPTION
1	80055	Cover, Woodford
2	80056	Cover, Thermaline
3	80073	Carriage Bolt
4	80068	Wing Nut
5	80014	Handle (Brass)
*5a	80013	Handle (Brass) (For units sold before 6/1/2011)
6	80017	Packing Nut
*6a	80005	Packing Nut (For units sold before 6/1/2011)
7	30247	Packing
*7a	80008	Packing (For units sold before 6/1/2011)
8	85064	Head Nut Assembly
9	80066	Yoke Nut
10	85015	Combination Valve Assembly
**11	80062	Heater Well Thumb Nut
12	80063	Heater Well Washer
**13	85001	1' Heater Well Assembly (Includes Item 12) Standard on 1' - 2' Hydrants
**13a	85002	2' Heater Well Assembly (Includes Item 12) Standard on 3' - 6' Hydrants
**13b	85004	4' Heater Well Assembly (Includes Item 12) Optional on 6' hydrants and standard on 7'-8' hydrants
**14	85061	1' Heater Assembly (Includes Item 15) Standard on 1' - 2' Hydrants
**14a	85062	2' Heater Assembly (Includes Item 15) Standard on 3' - 6' Hydrants
**14b	85065	4' Heater Assembly (Includes Item 15) Optional on 6' hydrants and standard on 7'-8' hydrants
15	80061	Heater Cover
RK-THERM		Repair Kit (Includes Items 5-12)

THERMALINE PARTS LIST

ITEM	PART#	DESCRIPTION
OPERATING PIPE (For Brass Head)		
16	80081	1' Bury (11-1/8" long)
	80082	2' Bury (23-1/8" long)
	80083	3' Bury (35-1/8" long)
	80084	4' Bury (47-1/8" long)
	80085	5' Bury (59-1/8" long)
	80086	6' Bury (71-1/8" long)
	80087	7' Bury (83-1/8" long)
	80088	8' Bury (95-1/8" long)
OPERATING PIPE (For Cast Iron Head)		
16a	80031	1' Bury (9-3/8" long)
	80032	2' Bury (21-3/8" long)
	80033	3' Bury (33-3/8" long)
	80034	4' Bury (45-3/8" long)
	80035	5' Bury (57-3/8" long)
	80036	6' Bury (69-3/8" long)
	80037	7' Bury (81-3/8" long)

NOTES:

* Parts 5a, 6a & 7a cannot be used with 85064 Head Nut Assembly.

** Old style heaters originally used in Thermalines with cast iron covers are replaced by items 11, 13 and 14.

For more information contact...

WOODFORD MANUFACTURING COMPANY, LLC

2121 Waynoka Road, Colorado Springs, Colorado 80915 • Phone: (800) 621-6032

To view our complete product line visit: www.woodfordmfg.com or email: sales@woodfordmfg.com