



ADA Compliant Self-Closing

The Model S4H is an automatic draining, sanitary, frost proof Yard Hydrant, with ASSE 1052 double check backflow preventer. This hydrant is designed for use in public areas such as campgrounds and parks or any location where potable water is required.

Unlike conventional hydrants which drain the water into the ground, the Model S4H employs a reservoir below frost line to contain the water. The hydrant is completely sealed to prevent surface and ground water from entering reservoir or service line. The valve, with its unique venturi design, removes the stored water along with the water being used.

The Model S4H is equipped with a diverter spout, which allows the hydrant to be operated independently from the backflow preventer. When the hydrant is to be used with a hose, the diverter sleeve is pulled down during flow and water is automatically diverted to the backflow preventer hose connection. The diverter will work with or without a hose attached to the backflow preventer and will automatically release any time the hydrant is shut off.

An important feature of the S4H is easy maintenance. The entire working portion of the hydrant can be removed from the reservoir without any excavation.

SPECIFICATIONS:

HOSE CONNECTION BACKFLOW PREVENTER (BFP)

- NIDEL® Model 37HF
- ASSE 1052 Approved
- Field Testable (see instruction sheet)
- Two Check Valves

OPTIONAL: ASSE 1057 listed - Consists of NIDEL® Model 34HF Single Check Vacuum Breaker

Order example: [S4H-Bury Depth-SC](#)

ADA COMPLIANT - Meets ADA requirements for height and 5 lbs. Max operating force.

PATENT - See website for more information:
<http://www.WoodfordMfg.com/Woodford/patents/>

FEMALE INLET - 1" N.P.T.

FINISH - Painted Forest Service brown.

MIN PRESSURE - 20 psi

MAX PRESSURE - 100 psi

MAX TEMPERATURE - 120° F

FLOW RATES (GPM)

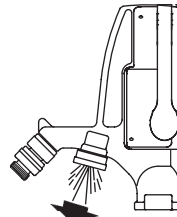
PSI	DIVERTER	BFP
20	7.0	1.5
30	9.0	3.0
40	10.0	5.0
50	11.0	6.0
60	12.0	7.0
70	13.0	8.0
80	14.0	9.0
90	14.5	9.5
100	15.0	10.0

When ordering, specify bury depth.

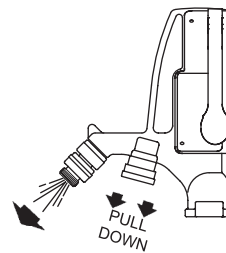
WOODFORD



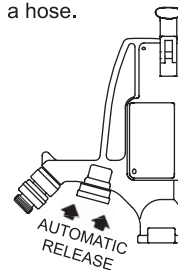
Backflow Protected Automatic Draining Freezeless, Self Closing Sanitary Yard Hydrant Model S4H



When the hydrant is opened to an ON position, water will flow through the diverter spout.



By pulling down on the diverter sleeve during flow, water will be diverted through the backflow preventer (BFP), and allow use with a hose.



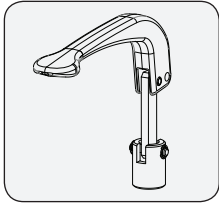
When the hydrant is closed to an OFF position, the diverter will automatically release, allowing the hydrant to drain into the reservoir. The hydrant will drain even if a pressurized or non pressurized hose is attached.



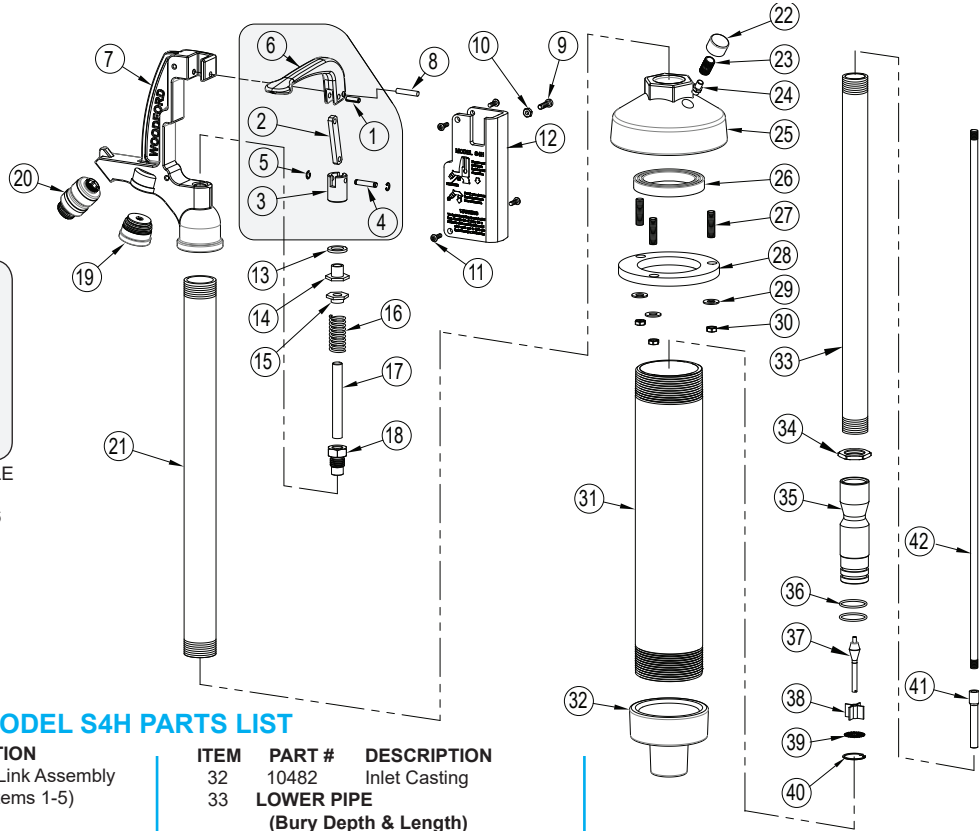
NOTICE

FOR WINTER USE: The hydrant must be operated at full flow, through the diverter, for a minimum of 30 seconds before and after each use to drain the hydrant and prevent freezing.

For Installation / Troubleshooting Instructions go to www.woodfordmfg.com or call 1-800-621-6032



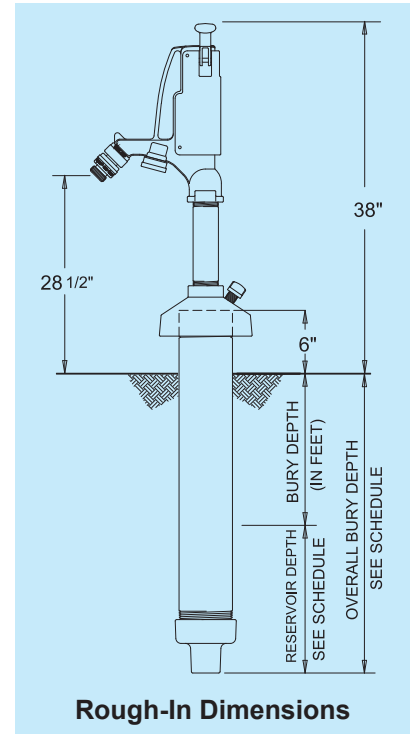
*ITEM 6 - 15139 HANDLE AND LINK ASSEMBLY INCLUDES PARTS 1-6



MODEL S4H PARTS LIST

ITEM	PART #	DESCRIPTION
	15137	Operating Link Assembly (Includes Items 1-5)
1	50040	Roll Pin
2	10375	Clevis Link
3	10376	Clevis
4	10377	Clevis Pin
5	10319	E-Ring (2)
6	15139	*Handle & Link Assembly
7	10552	S4H Head
8	10551	Handle Pin
9	10328	Stop Screw
10	10329	Jam Nut
11	10336	Head Cover Screws (4)
12	15240	Head Cover
13	10307	Washer
14	10308	Swivel Nut
15	10494	Lock Nut
16	10489	Spring
17	10465	Operating Rod Extension
18	15232	Packing Nut Assembly (Includes 10464 Internal & 10537 External O-Rings)
19	15220	Diverter Assembly
20	37HF-BR	37HF Backflow Preventer
21	10496	Upper Pipe
22	10555	Vent Cap
23	10556	3/8" Pipe Nipple
24	15136	Snifter Valve
25	10554	Casing Cover
26	10491	Cup Gasket
27	10534	Threaded Stud (3)
28	10483	Reservoir Flange
29	10332	Flat Washer (3)
30	10331	Hex Nut (3)
31		RESERVOIR PIPE (Bury Depth & Length)
	10511	1' Bury (27 7/16" Long)
	10512	2' Bury (41 1/16" Long)
	10513	3' Bury (54 13/16" Long)
	10514	4' Bury (68 7/16" Long)
	10515	5' Bury (82 5/16" Long)
	10516	6' Bury (95 15/16" Long)
	10517	7' Bury (109 11/16" Long)

ITEM	PART #	DESCRIPTION
32	10482	Inlet Casting
33		LOWER PIPE (Bury Depth & Length)
	10501	1' Bury (25 1/8" Long)
	10502	2' Bury (38 3/4" Long)
	10503	3' Bury (52 1/2" Long)
	10504	4' Bury (66 1/8" Long)
	10505	5' Bury (80" Long)
	10506	6' Bury (93 5/8" Long)
	10507	7' Bury (107 3/8" Long)
34	10334	1" Lock Nut
35	15233	Venturi Assembly
36	10321	Venturi O-Rings (2)
37	15134	Valve Plug
38	10322	Valve Plug Guide
39	10469	Inlet Screen
40	10323	Snap Ring #3000
41	10497	Coupling
42		OPERATING ROD (Bury Depth & Length)
	10521	1' Bury (47 1/8" Long)
	10522	2' Bury (60 3/4" Long)
	10523	3' Bury (74 1/2" Long)
	10524	4' Bury (88 1/8" Long)
	10525	5' Bury (102" Long)
	10526	6' Bury (115 5/8" Long)
	10527	7' Bury (129 3/8" Long)



Rough-In Dimensions

Bury Depth	1'	2'	3'	4'	5'	6'	7'
Reservoir Depth	12"	13 5/8"	15 3/8"	17"	18 7/8"	20 1/2"	22 1/4"
Overall Bury Depth	24"	37 5/8"	51 3/8"	65"	78 7/8"	92 1/2"	106 1/4"
Weight (lbs)	36	40	45	49	54	58	62

* Must ship by truck line due to length.

For more information contact...

WOODFORD MANUFACTURING COMPANY, LLC.

2121 Waynoka Road, Colorado Springs, Colorado 80915 • Phone: (800) 621-6032 • Fax: (800) 765-4115
 To view our complete product line visit: www.woodfordmfg.com or email: sales@woodfordmfg.com