



Woodford Utility Yard Hydrants are intended for irrigation purposes and designed for use where year-round availability of water is required. Sturdy construction make these hydrants rugged and dependable. Accidental damage and vandalism are minimized. Hydrants are available with choice of automatic close or manual close lever handle.

Freezeless UTILITY Yard Hydrants U34 / U75 3/4" FPT Inlet

SUGGESTED USES:

Chemical plants; oil refineries; outdoor paved areas of schools, factories and office buildings; wading pools; outdoor ice rinks; stock and water tanks.

Features:

- Automatic draining occurs through 1/8" NPT drain hole when hydrant is shut off to prevent freezing.
- Outlet can be located at any height above ground level. Adjust bury depth accordingly.
- All working parts are removable through the top of the hydrant.
- Lever handles can be easily removed to prevent unauthorized usage.

Specifications:

INLET: 3/4" FPT Brass Valve Body

OUTLET: Model U34: 3/4" Brass Hose Thd. Spout

Model U75: 3/4" FPT Galvanized Tee

HANDLES: Almag casting (see descriptions below)

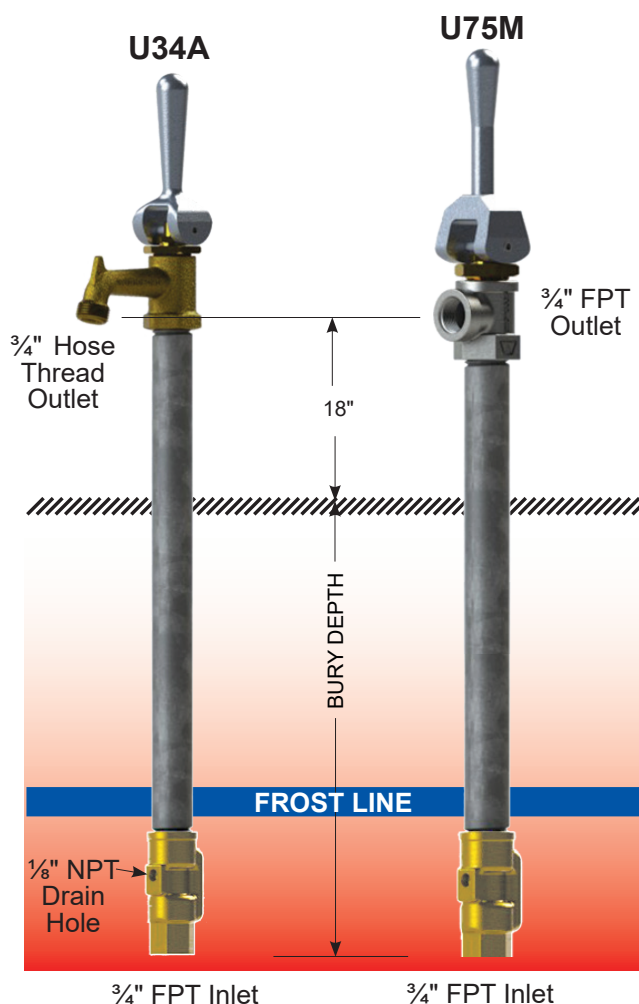
(A) Automatic closing lever handle should be used in public places where supervision is inadequate to assure shut-off of water.

(M) Manual closing lever handle should be installed where water is continuously used over a period of time.

OPERATING ROD: 1/4" Stainless steel pipe

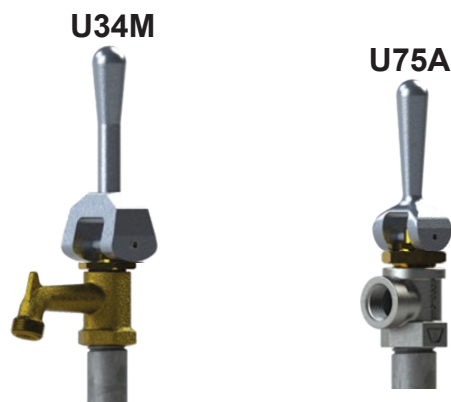
CASING: 1" Galvanized pipe

MAX. PRESSURE: 125 PSI



SHIPPING WEIGHT

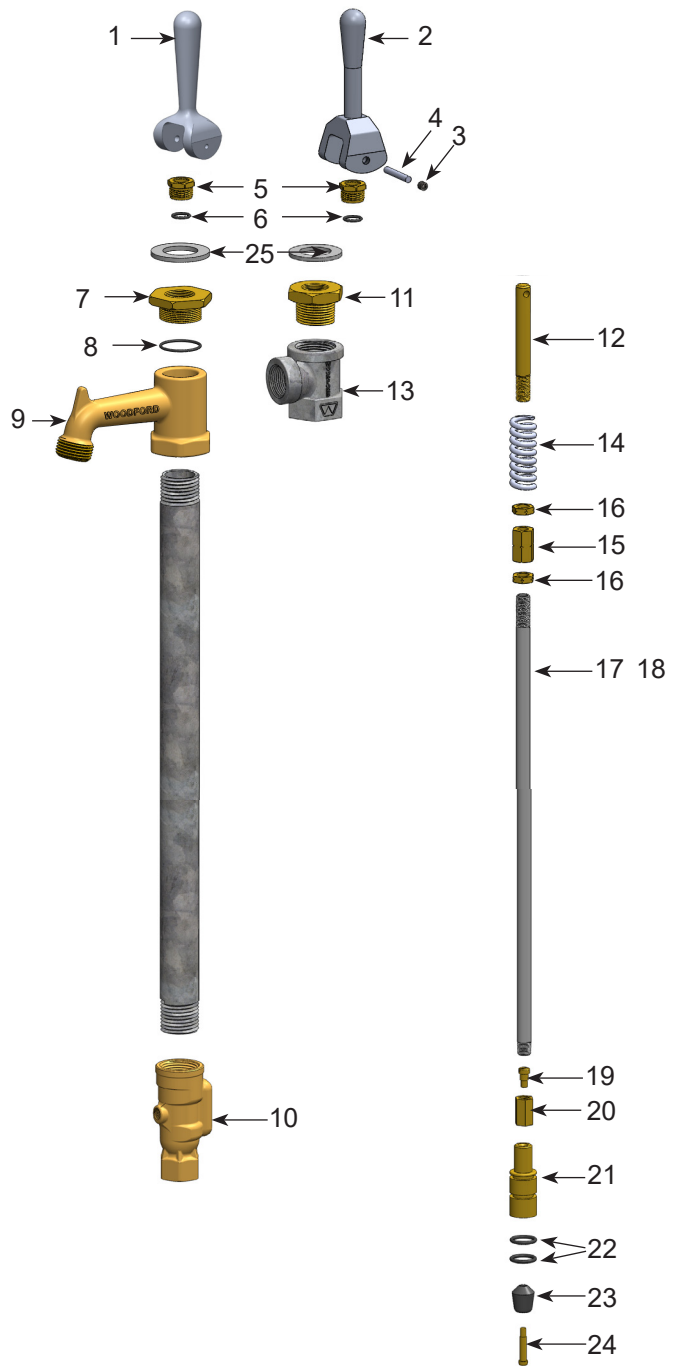
Bury Depth (Ft)	1	2	3	4	5	6	7
Weight U34 (lbs)	9	11	13	15	17	19	21
Weight U75 (lbs)	8	10	12	14	16	18	20





MODEL U34 & U75 PARTS LIST

ITEM	PART#	DESCRIPTION
1	41037	AUTOMATIC CLOSE HANDLE
2	41025	MANUAL CLOSE HANDLE
3	41201	SET SCREW
4	41202	HANDLE PIN
5	41029	PACKING NUT
6	41014	O-RING
7	41031	BONNET NUT (U34)
8	50011	O-RING (U34)
9	41036	SPOUT HEAD (U34)
10	41021	VALVE BODY
11	41043	BONNET NUT (U75)
12	41632	STEM
13	41239	1" X 1" X 3/4" HEAD (U75)
14	41033	SPRING
15	41631	COUPLING
16	41624	LOCKNUT (2 REQD)
17	U34 OPERATING ROD	
	42128	1 FT. BURY (25 1/2" LONG)
	42129	2 FT. BURY (37 1/2" LONG)
	42130	3 FT. BURY (49 1/2" LONG)
	42131	4 FT. BURY (61 1/2" LONG)
	42132	5 FT. BURY (73 1/2" LONG)
	42133	6 FT. BURY (85 1/2" LONG)
	42134	7 FT. BURY (97 1/2" LONG)
18	U75 OPERATING ROD	
	42125	1 FT. BURY (24 1/8" LONG)
	42101	2 FT. BURY (36 1/8" LONG)
	42102	3 FT. BURY (48 1/8" LONG)
	42103	4 FT. BURY (60 1/8" LONG)
	42104	5 FT. BURY (72 1/8" LONG)
	42105	6 FT. BURY (84 1/8" LONG)
	42106	7 FT. BURY (96 1/8" LONG)
19	41013	SWIVEL SCREW
20	41012	SWIVEL COUPLING
21	41015	PLUNGER
22	41014	O-RING (2 REQ'D)
23	41016	FULLER BALL
24	41017	FULLER BALL SCREW
25	40040	BEARING WASHER
	41018	PLUNGER REPAIR KIT (Includes Items 19-24)



For more information contact...

WOODFORD MANUFACTURING COMPANY, LLC.

2121 Waynoka Road, Colorado Springs, Colorado 80915 • Phone: (800) 621-6032 • Fax: (800) 765-4115
 To view our complete product line visit: www.woodfordmfg.com or email: sales@woodfordmfg.com