



Round Box RB Series Freezeless Wall Hydrants Model RB65 & RB67

The Woodford RB Series is designed especially for use with tilt-up wall construction. A round box and door is combined with a Model 65 or 67 wall hydrant for easy installation.

FEATURES:

Round box and door, chrome finish on silicon brass, fits through standard 6" diameter cored hole.

Stay open door. Lift and latch door stays open when hydrant is in use.

Hydrants drain automatically as handle is shut-off, *even if hose is attached.*

Permanent type brass valve body with hemispherical seating surface.

One piece valve plunger accurately controls both flow and drainage with a minimum number of turns and without need for adjustments.

Drain is located under nozzle away from hands of operator.

Tee Key operates hydrant and box door.

Two 3/8"-16 tapped holes in back of box provides for anchoring to wall.

HYDRANT SPECIFICATIONS:

Model 65 - ASSE Standard 1019-B approved and listed by IAPMO®. Equipped with **Anti Siphon Vacuum Breaker - Single Check Nidel® Model 34HA** with 3/4" male hose thread. Approved under ASSE 1011, CSA certified and listed by IAPMO®.

Model 67 - Equipped with **Hose Connection Backflow Preventer - Field Testable, Double Check Nidel® Model 37HA** with 3/4" male hose thread. Approved under ASSE 1052 and listed by IAPMO®.

Casing - Copper tubing

No Lead Solder - All solder joints

Stem - Hardened stainless steel stem resists damage.

Operating Rod - 3/8" solid brass rod

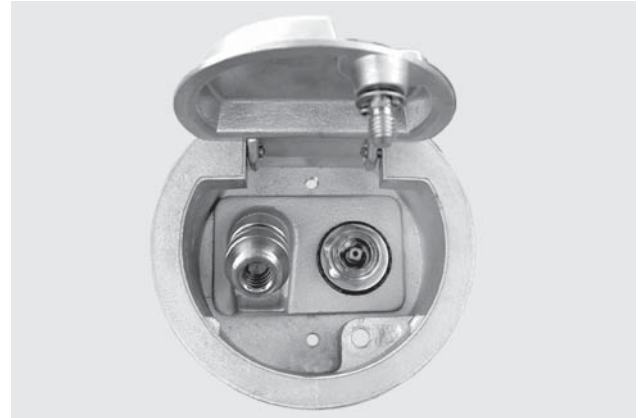
Wall Clamp - Standard except on close coupled

Max. Pressure - 125 p.s.i.

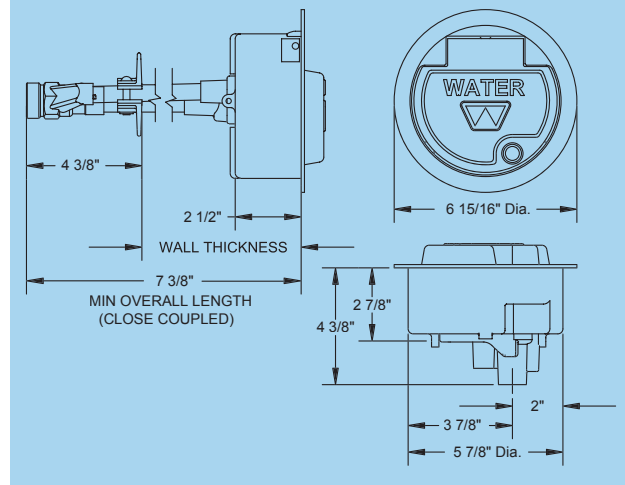
Max. Water Temperature - 120° F

Specify as follows:

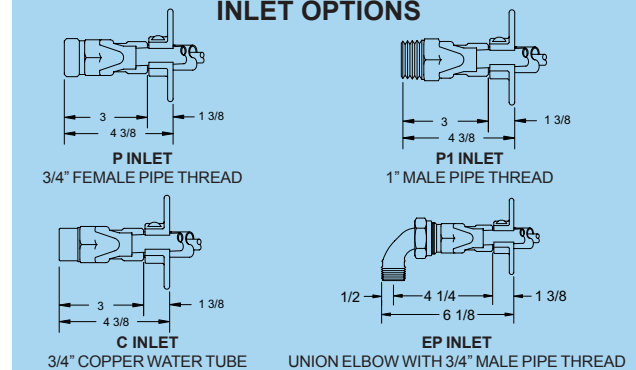
Wall hydrant shall be Woodford Model RB65 with ASSE 1019-B listed single check anti-siphon vacuum breaker or Model RB67 with ASSE 1052 approved automatic draining double check backflow preventer. 3/4" outlet (specify type of inlet). Hardened stainless steel operating stem and one-piece valve plunger to control both flow and drain functions. Exterior finish to be Chrome Plated (CH). Loose tee key to be furnished with each hydrant. Wall thickness to be _____ inches.



ROUGH-IN DIMENSIONS



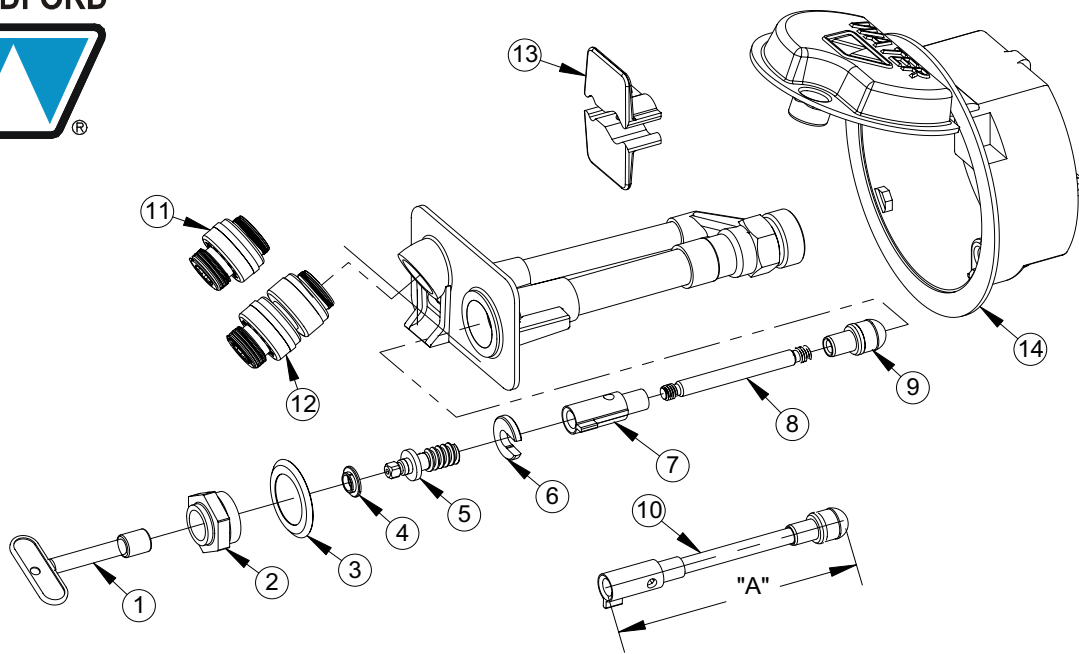
INLET OPTIONS



When ordering, specify model, inlet and wall thickness



WOODFORD



MODEL RB65/67 PARTS LIST

ITEM	PART#	DESCRIPTION
1	RK-LTK	Long Tee Key
2	50264	Head Nut - Chrome
3	50583	I.D. Ring - Model 65
	50584	I.D. Ring - Model 67
4	50252	Stem Washer
5	55062	Stem Screw
6	50251	"C" Washer
7	51014	Yoke Nut
8		Operating Rod (Sold with item 10 Only)
9	50250	Plunger
10	554XX	Operating Rod Assembly (includes Items 7,8,9)
		(Select required assembled length from table)
11	34HA-CH	Vacuum Breaker-Chrome
12	37HA-CH	Backflow Preventer-Chrome
13	55063	Wall Clamp Assembly
14	RB-BX	Round Box/Door Assembly - Chrome

RK-65 Chrome Repair Kit (Includes Items 1-7 & 9)

Operating Rod Assy. "A"		
Wall Thickness	Length	Part No.
CC	3 1/2"	55401
4	4 1/2"	55402
6	6 1/2"	55404
8	8 1/2"	55406
10	10 1/2"	55408
12	12 1/2"	55410
14	14 1/2"	55412
16	16 1/2"	55414
18	18 1/2"	55416
20	20 1/2"	55418
22	22 1/2"	55420
24	24 1/2"	55422

Wall Thickness (In)	CC	4	6	8	10	12	14	16	18	20	22	24
Overall Length	7 3/8	8 3/8	10 3/8	12 3/8	14 3/8	16 3/8	18 3/8	20 3/8	22 3/8	24 3/8	26 3/8	28 3/8
Shipping Wt. (Lbs)	8.5	9.2	9.6	10	10.4	10.8	11.2	11.6	12	12.4	12.8	13.2

NOTE: Close Coupled models are not recommended for use in freezing climates and cannot use wall clamp.

Manufactured under one or more of the following patents: U.S. Patents: 3,414,001; 4,178,956; 4,316,481; 4,532,954; D216,790; D215,791; D277,365; D277,366; D470,915 S; Canada Patents: 852,529; 865,995; 1,146,438

For more information contact...

WOODFORD MANUFACTURING COMPANY

2121 Waynoka Road, Colorado Springs, Colorado 80915 • Phone: (719) 574-1101 • Fax: (719) 574-7621

To view our complete product line visit: www.woodfordmfg.com