



Woodford Utility Yard Hydrants are intended for irrigation purposes and designed for use where year-round availability of water is required. Sturdy construction make these hydrants rugged and dependable. Accidental damage and vandalism are minimized. Hydrants are available with choice of manual close lever handle or wheel handle.

# Freezeless UTILITY Yard Hydrants

## U150 - 1½" FPT Inlet

## U200 - 2" FPT Inlet

### SUGGESTED USES:

Auxiliary fire fighting; filling fire-pond reservoirs; main shut-off hydrant for irrigation systems; to connect to 3HP contractor pumps where a permanent outlet is required.

### Features:

- Automatic draining occurs through ⅛" NPT drain hole when hydrant is shut off to prevent freezing.
- Outlet can be located at any height above ground level. Adjust bury depth accordingly.
- All working parts are removable through the top of the hydrant.
- Lever handles can be easily removed to prevent unauthorized usage.

### Specifications:

**INLET:** Model U150: 1½" Brass Valve Body, FPT

Model U200: 2" Brass Valve Body, FPT

**OUTLET:** Model U150: 1½" FPT Galvanized Tee

Model U200: 2" FPT Galvanized Tee

**HANDLES:** Almag casting Lever Handle, Wheel Handle (see descriptions below)

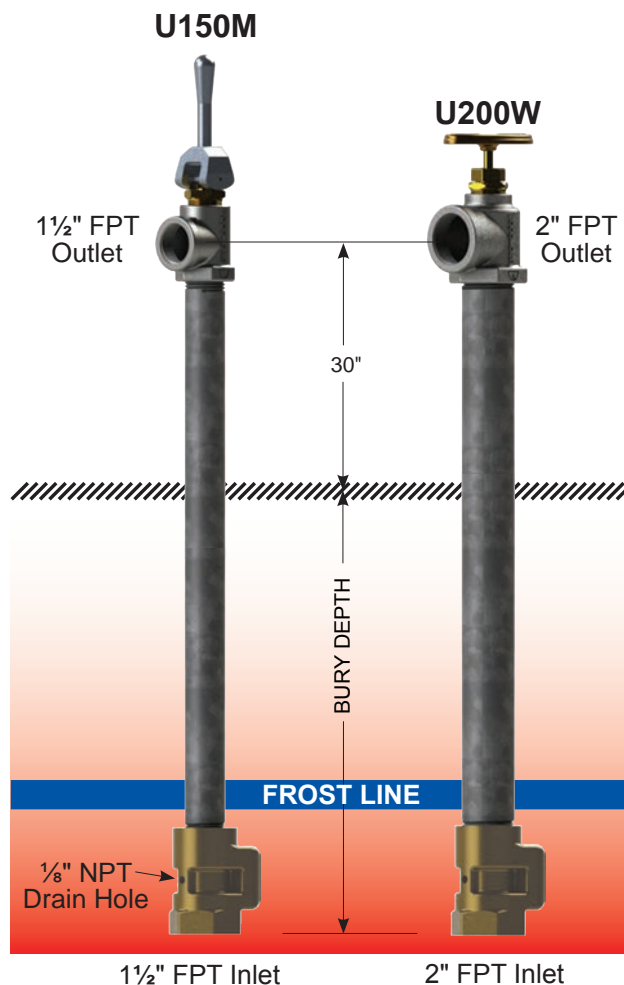
**(M) Manual closing lever handle** should be installed where water is continuously used over a period of time.

**(W) Wheel Handle** to be operated in the *full open* position only.

**OPERATING ROD:** ¼" galvanized pipe

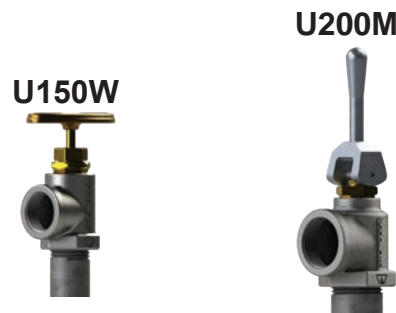
**CASING:** Model U150: 1½" galvanized pipe  
Model U200: 2" galvanized pipe

**MAX. PRESSURE:** U150W – 125 PSI  
U150M – 125 PSI  
U200W – 125 PSI  
U200M – 100 PSI



### SHIPPING WEIGHT

Bury Depth (Ft)	1	2	3	4	5	6	7
Weight U150 (Lbs)	20	23	26	29	32	36	39
Weight U200 (Lbs)	25	29	33	37	41	45	49

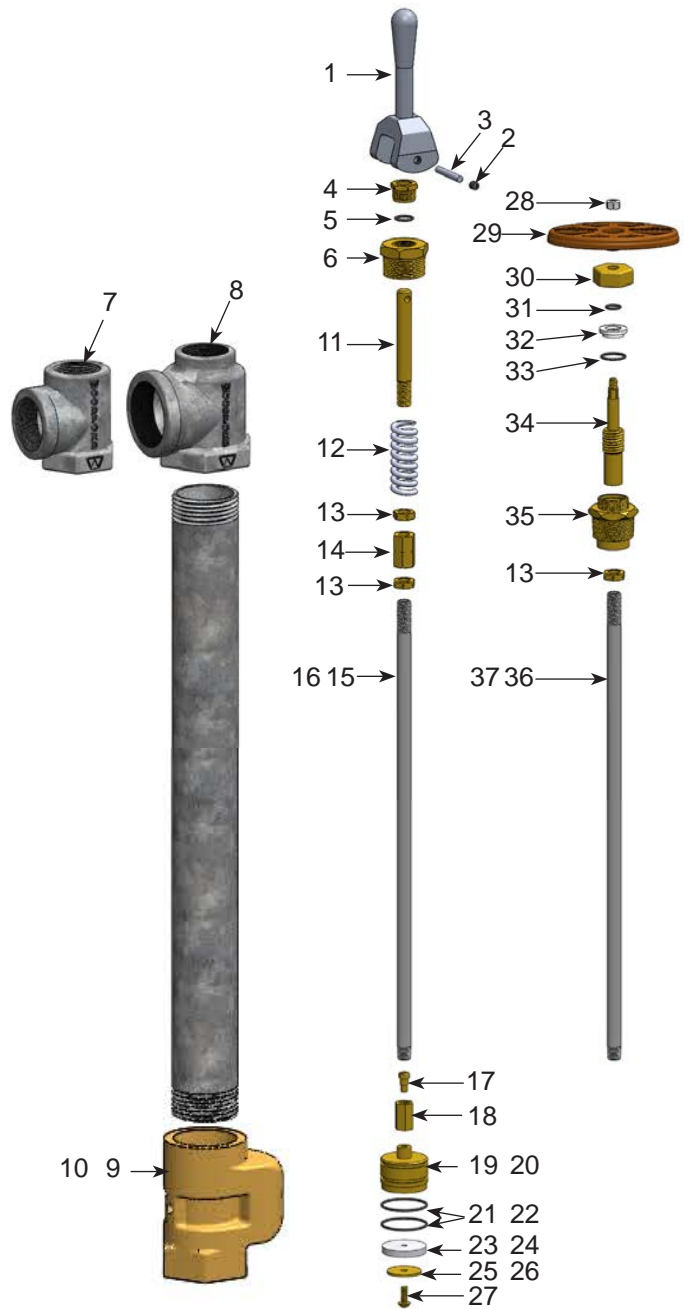


**WOODFORD**



**MODEL U150 & U200 PARTS LIST**

ITEM	PART#	DESCRIPTION
1	41025	MANUAL CLOSE HANDLE
2	41201	SET SCREW
3	41202	HANDLE PIN
4	41029	PACKING NUT
5	41014	O-RING
6	41067	BONNET NUT
7	41236	1 1/2" NPT U150 HEAD
8	41235	2" NPT U200 HEAD
9	41086	1 1/2" VALVE BODY (U150)
10	41097	2" VALVE BODY (U200)
11	41632	STEM
12	41102	SPRING
13	41624	1/2" NPSM LOCKNUT
14	41631	COUPLING
15	U150 OPERATING ROD (MANUAL CLOSE HANDLE)	
	42127	1 FT. BURY (37 9/16" LONG)
	42113	2 FT. BURY (49 9/16" LONG)
	42114	3 FT. BURY (61 9/16" LONG)
	42115	4 FT. BURY (73 9/16" LONG)
	42116	5 FT. BURY (85 9/16" LONG)
	42117	6 FT. BURY (97 9/16" LONG)
	42118	7 FT. BURY (109 9/16" LONG)
16	U200 OPERATING ROD (MANUAL CLOSE HANDLE)	
	42177	1 FT. BURY (37 13/16" LONG)
	42178	2 FT. BURY (49 13/16" LONG)
	42179	3 FT. BURY (61 13/16" LONG)
	42180	4 FT. BURY (73 13/16" LONG)
	42181	5 FT. BURY (85 13/16" LONG)
	42182	6 FT. BURY (97 13/16" LONG)
	42183	7 FT. BURY (109 13/16" LONG)
17	41013	SWIVEL SCREW
18	41012	SWIVEL COUPLING
19	41078	PLUNGER (U150)
20	41089	PLUNGER (U200)
21	41079	O-RING (2-REQ'D) (U150)
22	41090	O-RING (2-REQ'D) (U200)
23	41080	RUBBER SEAT WASHER (U150)
24	41091	RUBBER SEAT WASHER (U200)
25	41081	BRASS WASHER (U150)
26	41092	BRASS WASHER (U200)
27	41059	SCREW
28	10206	5/16" NUT
29	10633	OVAL WHEEL HANDLE
30	41005	BONNET NUT
31	41215	O-RING
32	41007	PACKING GLAND
33	41056	O-RING
34	41145	STEM SCREW
35	41061	STUFFING BOX
36	U150 OPERATING ROD (WHEEL HANDLE)	
	42163	1 FT. BURY (39 7/16" LONG)
	42164	2 FT. BURY (51 7/16" LONG)
	42165	3 FT. BURY (63 7/16" LONG)
	42166	4 FT. BURY (75 7/16" LONG)
	42167	5 FT. BURY (87 7/16" LONG)
	42168	6 FT. BURY (99 7/16" LONG)
	42169	7 FT. BURY (111 7/16" LONG)
37	U200 OPERATING ROD (WHEEL HANDLE)	
	42170	1 FT. BURY (40 3/16" LONG)
	42171	2 FT. BURY (52 3/16" LONG)
	42172	3 FT. BURY (64 3/16" LONG)
	42173	4 FT. BURY (76 3/16" LONG)
	42174	5 FT. BURY (88 3/16" LONG)
	42175	6 FT. BURY (100 3/16" LONG)
	42176	7 FT. BURY (112 3/16" LONG)



41083	U150 PLUNGER REPAIR KIT (Includes Items 17, 18, 19, 21, 23, 25, 27)
41093	U200 PLUNGER REPAIR KIT (Includes Items 17, 18, 20, 22, 24, 26, 27)

*For more information contact...*

**WOODFORD MANUFACTURING COMPANY**

2121 Waynoka Road, Colorado Springs, Colorado 80915 • Phone: (800) 621-6032 • Fax: (800) 765-4115  
 To view our complete product line visit: [www.woodfordmfg.com](http://www.woodfordmfg.com) or email: [sales@woodfordmfg.com](mailto:sales@woodfordmfg.com)  
 A Division Of WCM Industries, Inc.