

For Commercial Applications

Job Name _____ Item Designation _____
Job Location _____ Contractor _____
Engineer _____ Representative _____
Inlet: P ___ C ___ (EP ___ *MADE TO ORDER, NO RETURN*) Finish: CH ___ BR ___ PB ___

For Non Freezing Areas

Woodford Model B74 Box

Type Anti-Siphon Protected

The Model 74 is an Anti-Siphon Vacuum Breaker protected wall hydrant housed in a tamper resistant brass box. The hydrant is designed for use in mild climate areas or within temperature controlled malls and plazas.

Features:

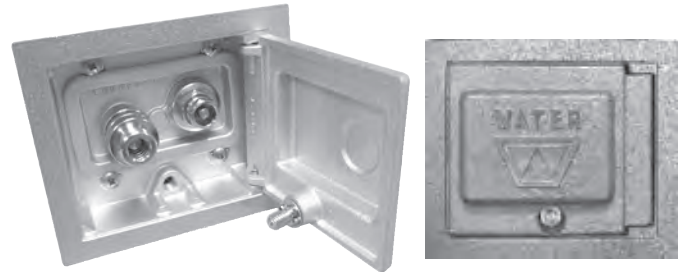
- Red Brass head & valve body, box and door
 - Optional: Flat Door (F)
- One piece box construction
- Hemispherical valve seat
- Hardened stainless steel operating stem
- EPDM Packing
- Adjustable brass packing nut
- Loose Tee Key operation
- 3 Inlet options

Specifications:

- **HOSE CONNECTION VACUUM BREAKER:**
 - NIDEL® Model 34HF with 3/4" hose connection
 - ASSE Standard 1011 approved
 - IAPMO® listed
 - Canadian Standards Association listed
 - Single check valve
- **Maximum Working Pressure:** 125 p.s.i.
- **Maximum Temperature:** 120° F

Specify as follows:

Wall hydrant shall be a box type Woodford Model B74 for non-freezing areas with anti-siphon vacuum breaker. ASSE Standard 1011 approved. 3/4" hose connection inlet. 3/4" outlet (specify type of inlet). Hardened stainless steel operating stem. Packing nut secured with lock nut. Permanent type valve body with large hemispherical seating surface. Exterior finish to be Chrome Plated (options: Rough Brass or Polished Brass). Loose tee key to be furnished with each hydrant.

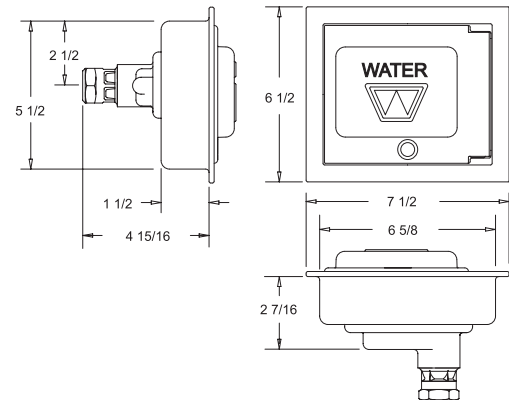


Square Box & Door - Optional: Flat Door (F)

Exterior Finish:

Standard - Chrome (CH)
Optional - Rough Brass (BR) or Polished Brass (PB)

Rough-In Dimensions



Inlet Options

P - 3/4" Female Pipe Thread
C - 3/4" Copper Sweat Fitting
EP - Union Elbow with 3/4" Male Pipe Thread



WOODFORD MANUFACTURING COMPANY

2121 WAYNOKA ROAD
COLORADO SPRINGS, CO 80915
Phone (800) 621-6032 Fax (800) 765-4115
Website: www.woodfordmfg.com
Email: sales@woodfordmfg.com