

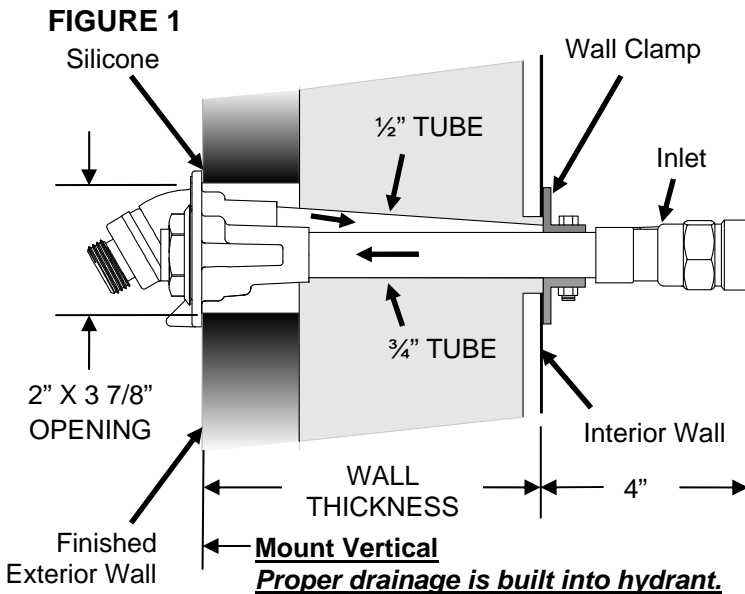
# Installation Instructions Model 65 & 67 Wall Hydrants



Model 65 with Single Check Vacuum Breaker



Model 67 with Double Check Backflow Preventer



The hydrant must be properly installed and operated to insure drainage. Improperly installed or operated hydrants may freeze and burst in freezing weather.

## INSTALLATION INSTRUCTIONS:

1. Before installation, flush supply line to remove any debris.
2. Cut a 2" X 3 7/8" opening through the wall in the desired location and insert the faucet from the outside. FIGURE 1
3. Install top of head in the horizontal position and level. *Do not install in vertical position.* FIGURE 2
4. *Note: Proper drainage is built into hydrant: FIGURE 1 (1/2" tube must slope slightly down toward inlet.) (3/4" tube must be level.)*
5. Apply silicone or equivalent to seal and help support hydrant FIGURE 1
6. Air vent in stem **must not** be plugged to ensure proper draining. FIGURE 2
7. Hydrant Inlet must be in a warm area. FIGURE 1
8. Install adjustable Wall Clamp over water tubes and slide snug to interior wall. FIGURE 1

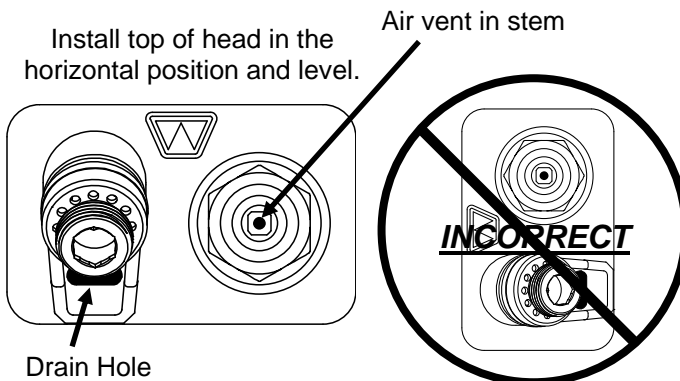
*Note: For solder connection, open hydrant to full open position before soldering. Excessive heat can damage valve seat rubber.*

## OPERATING INSTRUCTIONS:

To **OPEN**, turn stem counter-clockwise

To **CLOSE** and **DRAIN**, turn stem clockwise until seated and water drains out the drain hole.

**FIGURE 2**



For more information contact...

## WOODFORD MANUFACTURING COMPANY

2121 Waynoka Road, Colorado Springs, Colorado 80915 • Phone: (800) 621-6032 • Fax: (800) 765-4115  
To view our complete product line visit: [www.woodfordmfg.com](http://www.woodfordmfg.com) or email: [sales@woodfordmfg.com](mailto:sales@woodfordmfg.com)  
A Division of WCM Industries, Inc.