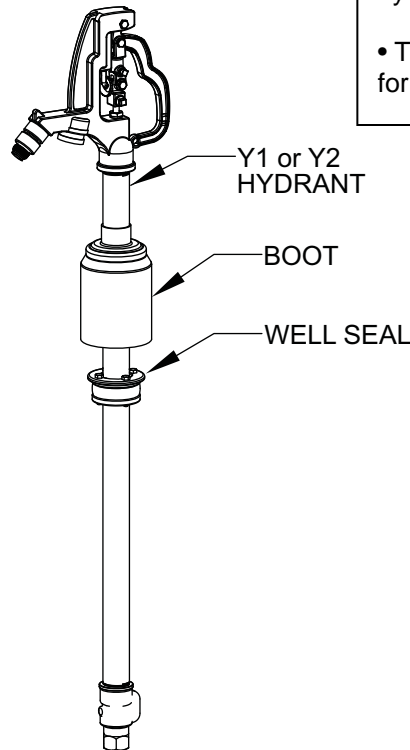


Installation Instructions Commercial Roof Hydrant

Page 1 of 3



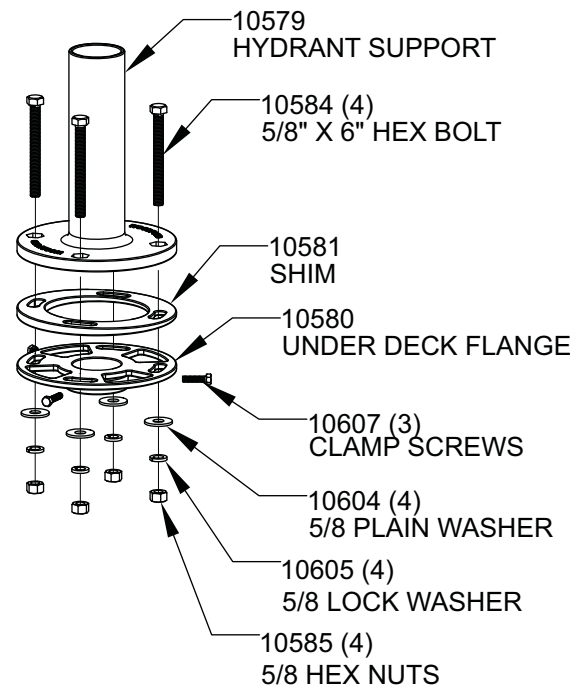
**RHY1-MS or
RHY2-MS (Shown)**
Complete Roof Hydrant
Mounting System
includes both cartons 1
and 2.



CARTON 1
**RHY1 or
RHY2 (Shown)**
CONTENTS

- Y1 or Y2 Hydrant
- Well Seal
- Boot

- The complete RHY1-MS or RHY2-MS Hydrant with Mounting System will be received in 2 separate cartons. See carton contents below.
- Both cartons are required to complete the Roof hydrant installation.
- The following installation instructions are suggested for installing on a typical corrugated steel roof system.



CARTON 2
RH-MS
CONTENTS

- Hydrant Support – cast iron
- 2" Shim – cast iron
- Under Deck Flange – cast iron
- Mounting Bolts, Nuts & Washers

WOODFORD MANUFACTURING COMPANY

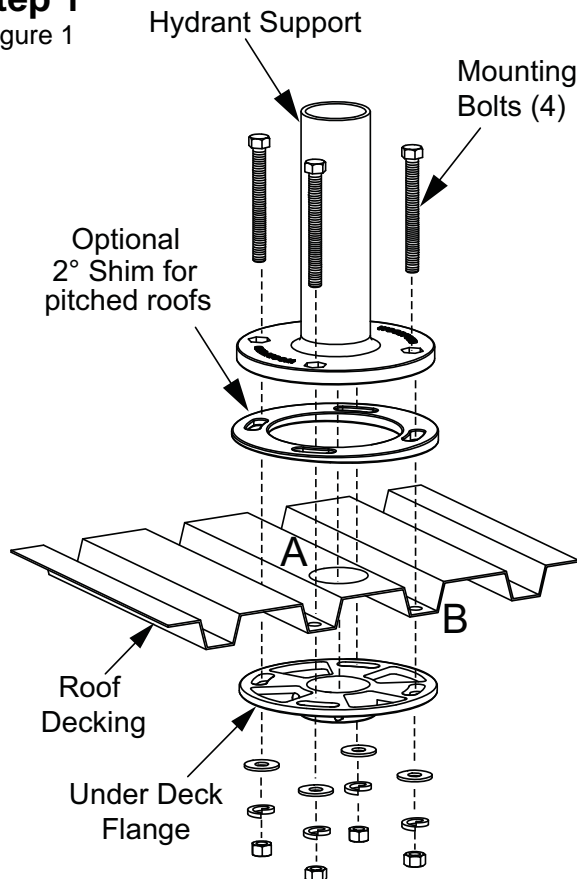
2121 Waynoka Road, Colorado Springs, Colorado 80915 • Phone: (800) 621-6032 • Fax: (800) 765-4115
To view our complete product line visit: www.woodfordmfg.com or email: sales@woodfordmfg.com
A Division of WCM Industries, Inc.

Installation Instructions RHY1-MS & RHY2-MS Commercial Roof Hydrant



Page 2 of 3

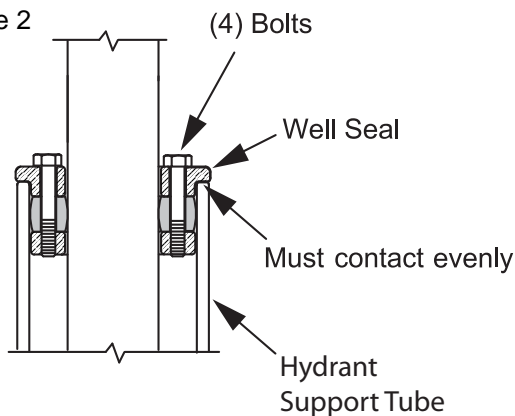
Step 1 Figure 1



STEP 1 Figure 1

1. Set Hydrant Support in desired location on roof decking.
2. Transfer (5) hole locations using Hydrant Support flange as a template.
3. Set aside Hydrant Support and cut (1) 3" hole for the hydrant (A) and drill (4) 11/16" bolt holes (B) through roof decking.
4. Reposition Hydrant Support over holes in decking.
5. Drop (4) 5/8" X 6" Mounting Bolts through Hydrant Support flange. Heads should bottom in hex pockets.
6. From underneath roof decking, install Under Deck Flange. Position slots in Flange over the (4) bolts and secure with plain washers, lock washers and nuts.

Step 2 Figure 2



STEP 2 Figure 2

8. Loosen, but do not remove, the (4) bolts on the Well Seal.
9. Install the hydrant through the top of the Hydrant Support.
10. Position the hydrant to desired height.
11. Slide the Well Seal down and seat into the Hydrant Support tube.
Make sure that the top of the Well Seal contacts the top of the tube evenly all around.
12. Tighten the four bolts evenly until hydrant pipe is clamped securely.
 - a. NOTE: Installer may desire to not tighten the well seal until supply and drain connections are attached.

WOODFORD MANUFACTURING COMPANY

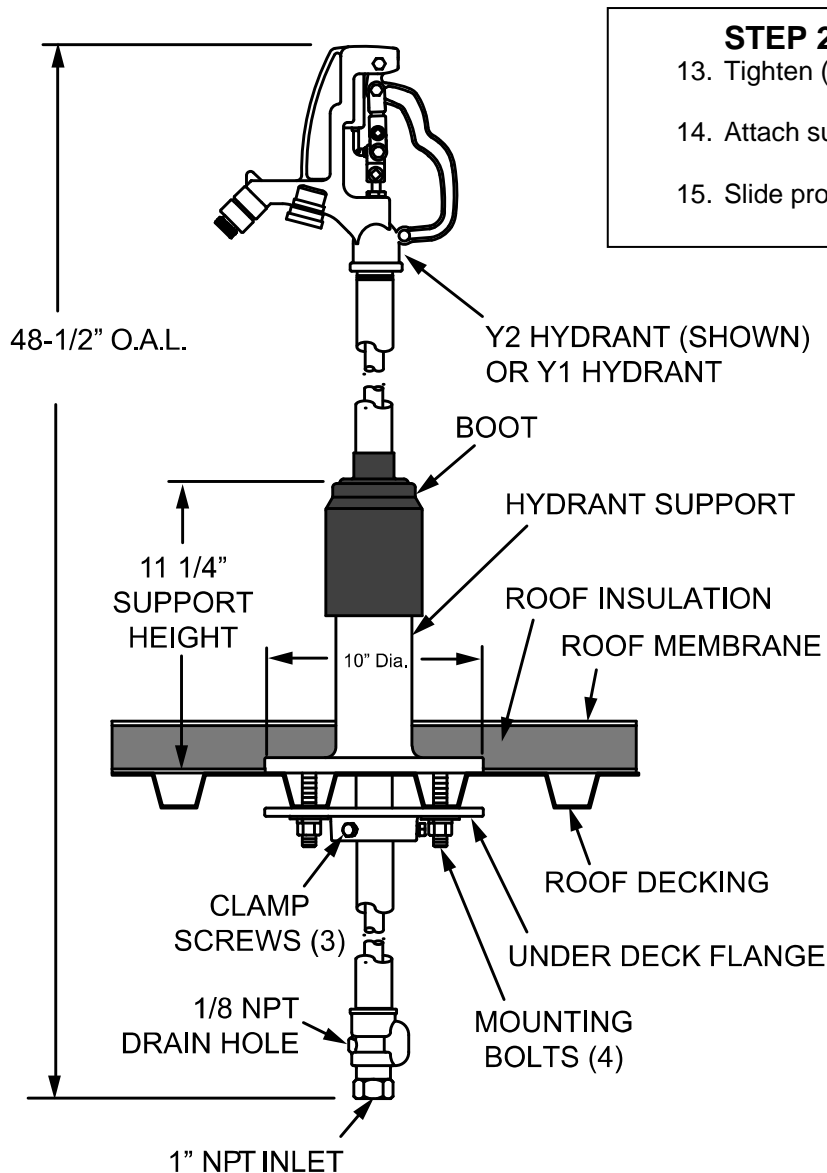
2121 Waynoka Road, Colorado Springs, Colorado 80915 • Phone: (800) 621-6032 • Fax: (800) 765-4115
To view our complete product line visit: www.woodfordmfg.com or email: sales@woodfordmfg.com
A Division of WCM Industries, Inc.

Installation Instructions RHY1-MS & RHY2-MS Commercial Roof Hydrant

Page 3 of 3



Step 2 Figure 3



STEP 2 Figure 3

13. Tighten (4) Under-Deck Flange Clamp Screws.
14. Attach supply and drain lines.
15. Slide protective Boot down over Well Seal.

WOODFORD MANUFACTURING COMPANY

2121 Waynoka Road, Colorado Springs, Colorado 80915 • Phone: (800) 621-6032 • Fax: (800) 765-4115
To view our complete product line visit: www.woodfordmfg.com or email: sales@woodfordmfg.com
A Division of WCM Industries, Inc.