

INSTALLATION INSTRUCTIONS



For more information contact...

WOODFORD MANUFACTURING COMPANY

2121 Waynoka Road, Colorado Springs, Colorado 80915 • Phone: (800) 621-6032 • Fax: (800) 765-4115

To view our complete product line visit: www.woodfordmfg.com or email: sales@woodfordmfg.com

A Division of WCM Industries, Inc.

WF-MS

Wall Faucet Mounting Sleeve Installation Instructions For Woodford Models 14, 16, 17, 19 ONLY

Rev 06/10 Form No. IIFW-MS.102

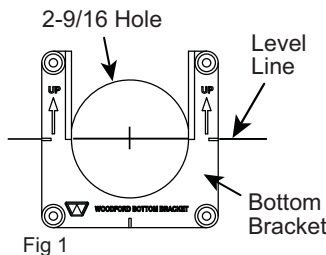
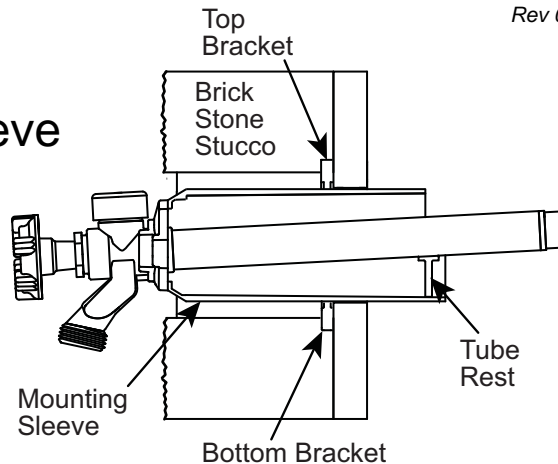


Fig 1

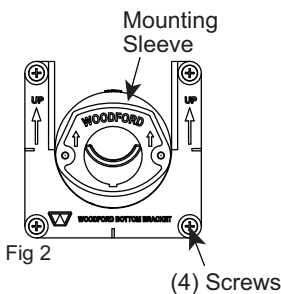


Fig 2

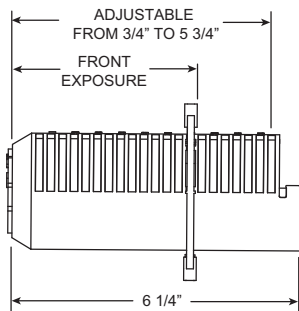


Fig 3

1. Determine the wall surface where the Mounting Sleeve will be located. Fig 1
2. Draw a level line, center and drill a 2-9/16" hole. Fig 1

3. Align the Bottom Bracket, arrows pointing up, with the hole and level line. (The Mounting Brackets can be installed on the inside wall or the outside of the wall) Fig 1

4. Use (4) of the furnished wood screws to secure the Bottom Bracket. Fig 2

5. Slide Mounting Sleeve through the hole. Use the number scale on top of the Mounting Sleeve to determine exposure distance. Fig 3

6. Slide the Top Bracket over the Mounting Sleeve and into the Bottom Bracket. Fig 4

7. Lock the Top Bracket into one of the Mounting Sleeve slots. Use the remaining wood screw to secure the Top Bracket. Fig 5

8. Be sure the Tube Rest is seated in the slots on the back end of the Mounting Sleeve. The Tube Rest provides the proper faucet drain angle position. Fig 6

Note: If soldering to an inlet make sure heat is far enough away from the Mounting Sleeve or Tube Rest to prevent damage.

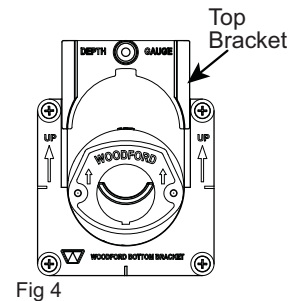


Fig 4

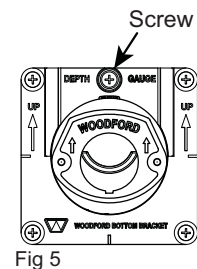


Fig 5

