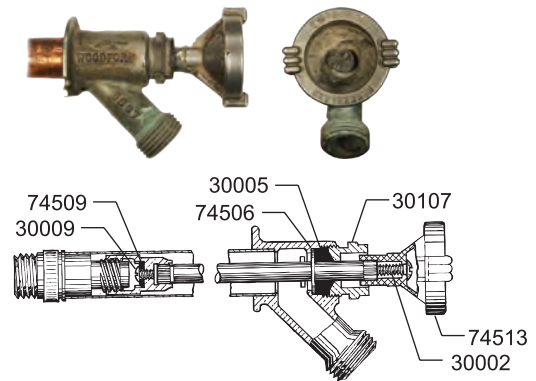


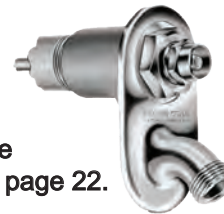
MODEL 10		
PART #	DESCRIPTION	PRICE
10112	Handle Screw	0.75
10113	Stem Screw	30.55
50023	Wheel Handle	2.10
50024	Packing	2.10
50064	Support Washer	1.45
74527	Packing Support Washer	0.90
74528	Valve Seat Rubber	0.60
74529	Retainer	19.20
74530	Retainer Screw	0.75
74532	Yoke Nut	11.05
74533	Packing Nut	3.55
74541	Valve Stem Assy. 4" WT-6 3/4 OAL	35.85
74542	Valve Stem Assy. 6" WT-8 3/4 OAL	37.80
74543	Valve Stem Assy. 8" WT-10 3/4 OAL	39.95
74544	Valve Stem Assy. 10" WT-12 3/4 OAL	42.10
74545	Valve Stem Assy. 12" WT-14 3/4 OAL	44.10
74546	Valve Stem Assy. 14" WT-16 3/4 OAL	46.25
74547	Valve Stem Assy. 18" WT-20 3/4 OAL	50.45
74548	Valve Stem Assy. 24" WT-26 3/4 OAL	56.65

WT = Wall Thickness, OAL = Overall Length
(5/16" Diameter Valve Stem Rod)



MODEL 12		
PART #	DESCRIPTION	PRICE
30002	Handle Screw	0.55
30005	Packing	2.20
30009	Retaining Screw	0.50
30107	Packing Nut, Brass	4.30
74506	Packing Support Washer	0.70
74509	Valve Seat Rubber	1.45
74513	Wheel Handle	10.40
74517	Rod Assembly 6" WT - 8 1/8 OAL	30.50
74518	Rod Assembly 8" WT - 10 1/8 OAL	32.50
74519	Rod Assembly 10" WT - 12 1/8 OAL	34.70
74520	Rod Assembly 12" WT - 14 1/8 OAL	36.75
74521	Rod Assembly 14" WT - 16 1/8 OAL	38.75
74522	Rod Assembly 18" WT - 20 1/8 OAL	43.05
74560	Rod Assembly 4" WT - 6 1/8 OAL	18.85
74531	Rod Assembly 24" WT - 26 1/8 OAL	49.35

WT = Wall Thickness, OAL = Overall Length
(3/8" Diameter Rod - 16 Splines)



Order Repair Kit RK-70 for the
Model 7, 8, 80, 85, 90 and 95 sold on page 22.

MODEL 7		
PART #	DESCRIPTION	PRICE
50070	Head (Chrome)	28.00

MODEL 8		
PART #	DESCRIPTION	PRICE
50078	Head (Chrome)	30.75
50079	Head (brass)	30.75

MODELS 77 & 78

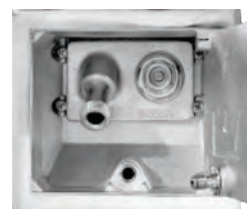
All parts available except deep box castings - Parts same as Y70 Hydrant or Model 70 and 80.



Model 80
Woodford Freezeless



Model 85
Woodford Freezeless
Anti-Contamination
34HW Vacuum Breaker
(55180 Nozzle Required)



Model 90
Woodford Freezeless



Model 95
Woodford Freezeless
Anti-Contamination
34HW Vacuum Breaker
(55180 Nozzle Required)