

TECH-NOTE



For more information contact...

WOODFORD MANUFACTURING COMPANY

2121 Waynoka Road, Colorado Springs, Colorado 80915 • Phone: (800) 621-6032 • Fax: (800) 765-4115

To view our complete product line visit: www.woodfordmfg.com or email: sales@woodfordmfg.com

A Division of WCM Industries, Inc.

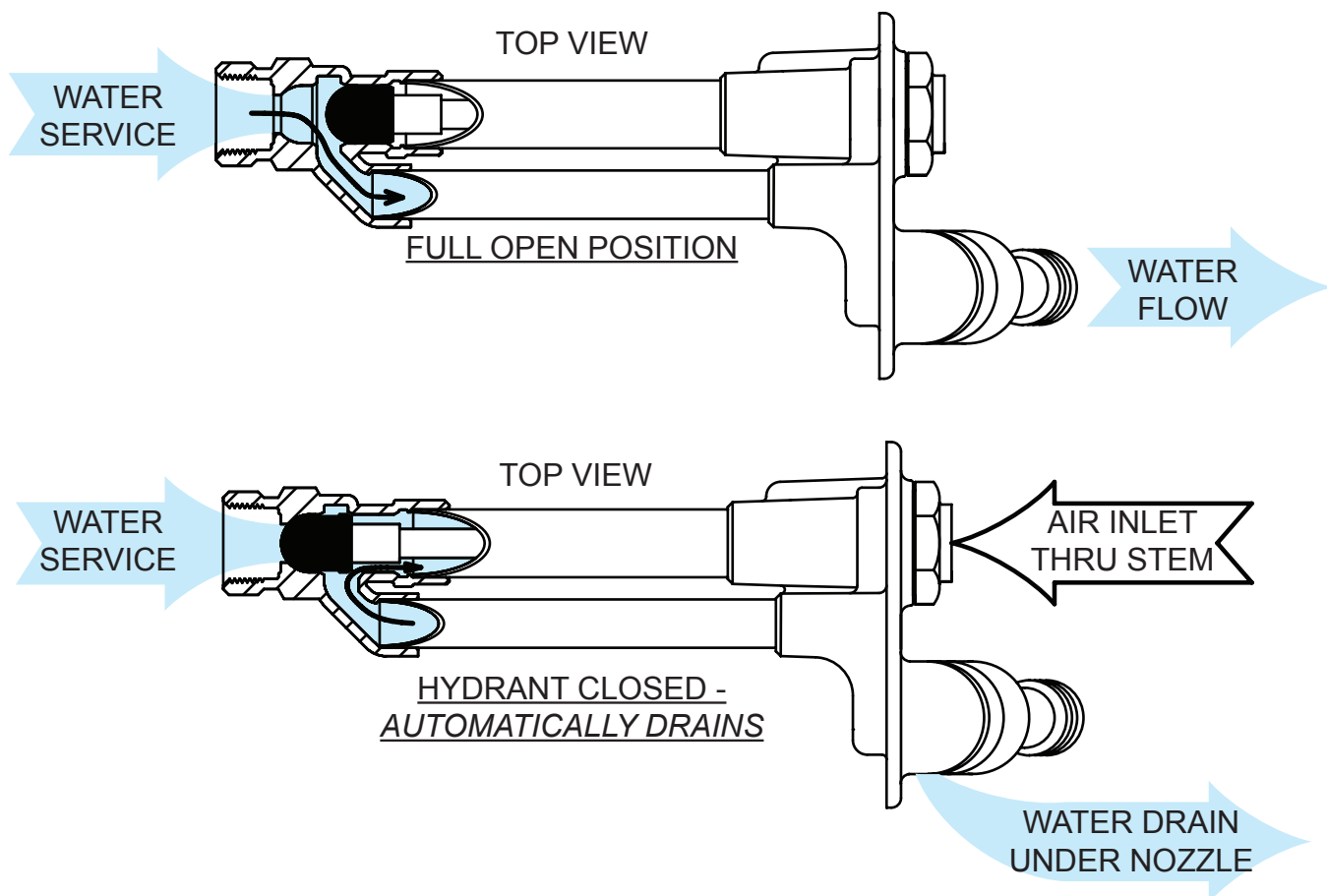
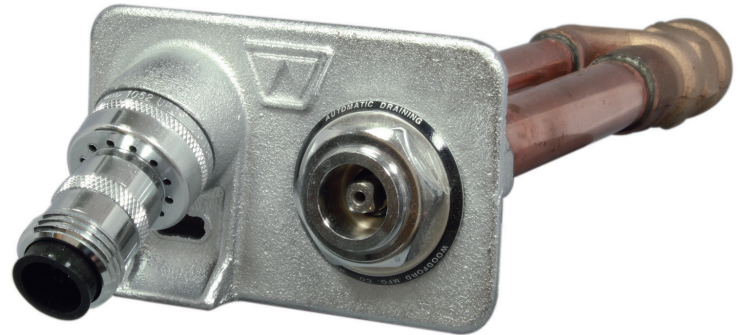
07/12 Rev 2

Model 67

Freezeless Wall Hydrant with....

PATENTED HIGH FLOW DOUBLE CHECK BACKFLOW PREVENTER

- NIDEL® Model 50HA with 3/4 inch male hose thread
- ASSE Standard 1052 approved
- Field Testable
- Two Independent Check Valves
- Drains automatically when hose is removed
- No spray back



NOTE: HYDRANTS DRAIN AUTOMATICALLY WITH OR WITHOUT HOSE ATTACHED.

TECH-NOTE



For more information contact...

WOODFORD MANUFACTURING COMPANY

2121 Waynoka Road, Colorado Springs, Colorado 80915 • Phone: (800) 621-6032 • Fax: (800) 765-4115

To view our complete product line visit: www.woodfordmfg.com or email: sales@woodfordmfg.com

A Division of WCM Industries, Inc.

07/12 Rev 2

RB65 & RB67

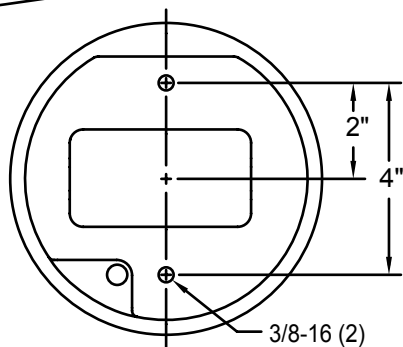
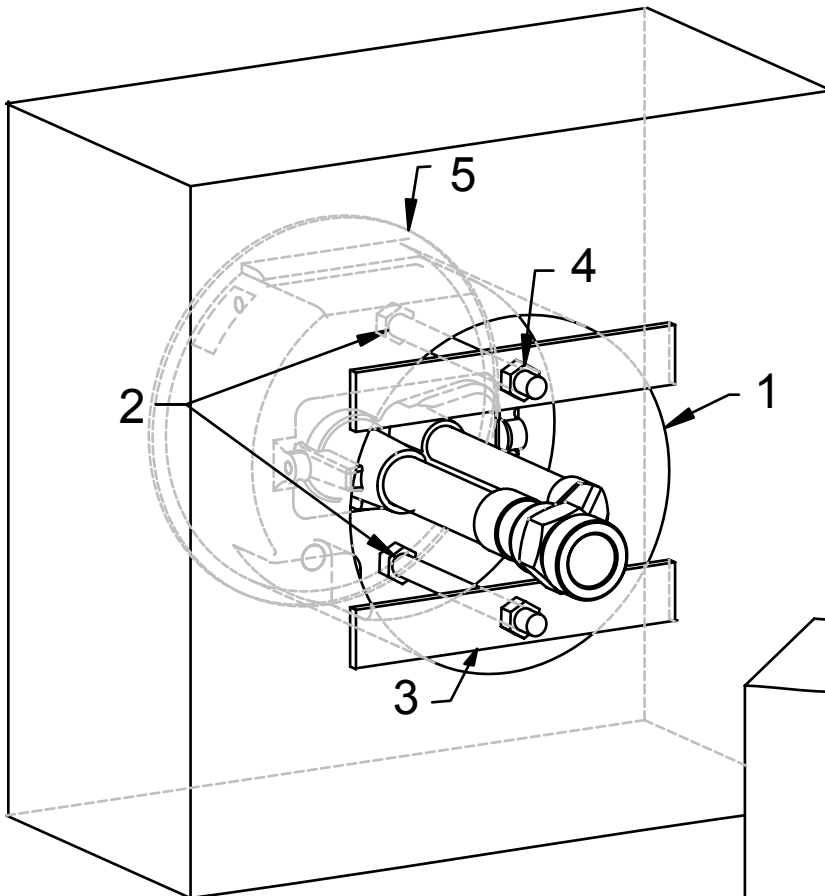
Round box

Installation Instructions

Round Box Patent No. US D470,915 S

Suggested installation through concrete wall:

1. Using a 6" core drill, locate and core drill a 6" diameter hole through wall.
2. Cut two lengths of 3/8-16 threaded rod long enough to protrude 1" through the back of the hole when box is installed. Spin one 3/8 back-up nut onto each rod to lock rods in place against box. Screw rods into provided tapped holes located in back of round box then tighten back-up nuts.
3. Make two back-up plates from available metal bar or angle to span 6" hole.
4. Set round box assembly in hole. Install back-up plates and draw-up loosely with 3/8 nuts.
5. Position and plumb unit in hole. Tighten back-up plate nuts to complete installation.



Mounting Hole Detail

