

**FOR NON-FREEZING AREAS ONLY.**

**NEW 360° SWIVEL INLET**

The Model 75 and B75 are anti-siphon wall hydrants designed for use in mild climate areas or within temperature controlled buildings. The Model 75 is only 2-5/8" deep and fits inside a stud wall. The B75 fits inside a 4" wall.

**SPECIFICATIONS:**

**VACUUM BREAKER – ANTI-SIPHON** - NIDEL® Model 34HF with 3/4 inch male hose thread, approved under ASSE Standard 1011, Canadian Standards Association and listed by IAPMO®.

**VALVE SEAT** – Permanent type brass valve body with hemispherical seating surface.

**STEM** – Hardened stainless steel stem resists damage.

**PACKING** – EPDM rubber with adjustable packing nut..

**TEE KEY** – Loose key operates hydrant.

**INLET** – 3/4" female pipe thread. Inlet swivels 360° to any position.

**MAX PRESSURE** – 125 p.s.i.

**MAX TEMPERATURE** - 120° F

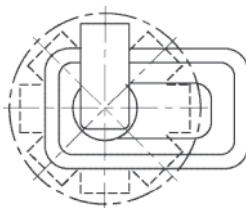
**OPTIONS** - RK Bracket Kit

**SHIPPING WEIGHT** – **Model 75:** 3.1 lbs.  
**Model B75:** 10.2 lbs.  
**Model RB75:** 7.9 lbs.

**Specify as follows:**

Wall hydrant shall be Woodford Model 75 (exposed type) or B75 (concealed box type), with anti-siphon vacuum breaker listed by ASSE, CSA and IAPMO. 3/4" inlet and outlet. 360° inlet orientation. Hardened stainless steel operating stem. Packing nut secured with lock nut. Permanent type valve body with large hemispherical seating surface. Exterior finish to be Chrome Plated (options: Polished Brass or Rough Brass). Loose tee key to be furnished with each hydrant.

**360 Degree Inlet Orientation**



**When ordering, specify model number, and finish.**

**WOODFORD**

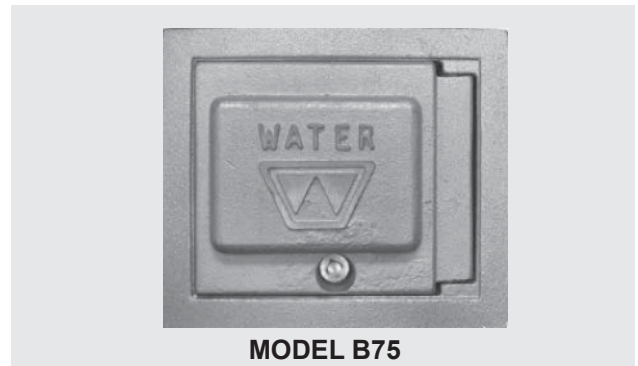


**Anti-Siphon  
 Close Coupled  
 Trimline Wall Hydrants  
 Model 75/B75/RB75**



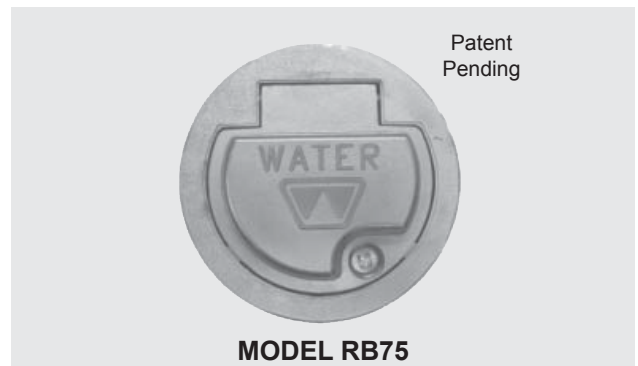
**MODEL 75**

**Exterior Finish:**  
 Standard - Chrome (CH)  
 Optional - Brass (BR) Polished Brass (PB)



**MODEL B75**

**Square Box & Door** - Optional: Flat Door (F)  
**Exterior Finish:**  
 Standard - Chrome (CH)  
 Optional - Brass (BR) Polished Brass (PB)

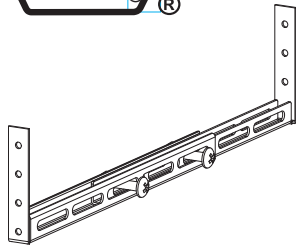


**MODEL RB75**

**Optional Round Box & Door**  
**Exterior Finish:**  
 Standard - Chrome (CH)  
 Install through 6" diameter hole.

Patent Pending

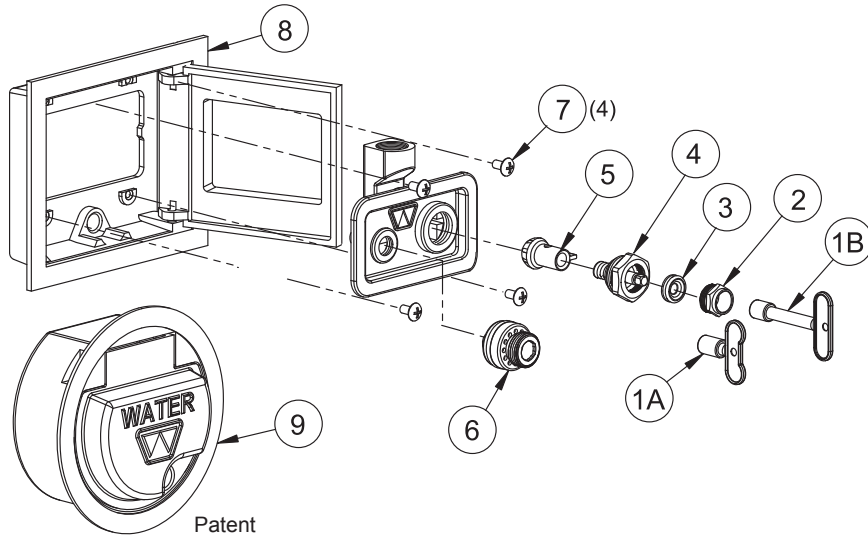
**WOODFORD**



**Mounting Bracket  
Included With B75**

Adjust and fasten bracket in stud wall. Attach box assembly to bracket for easy installation.

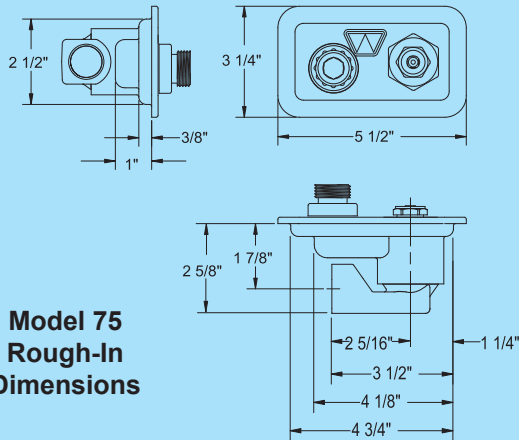
May be ordered as separate item:  
*RK-Bracket*



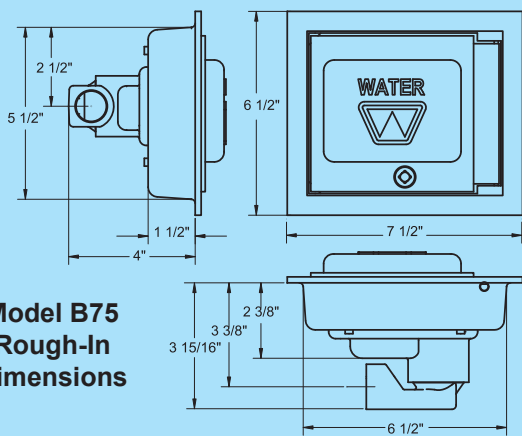
Patent Pending

**MODEL 75/B75/RB75 PARTS LIST**

ITEM	PART#	DESCRIPTION
1A	50009	Tee Key
1B	50010	Long Tee Key (Box Models)
2	30109 30107	Packing Nut - chrome Packing Nut - brass
3	30247	Packing
4	55183 55182	Head Nut Assembly - chrome Head Nut Assembly - brass
5	55105	Yoke Nut & Valve Assembly
6	34HF-CH 34HF-BR	Vacuum Breaker - chrome Vacuum Breaker - brass
7	51049	Truss Head Screws (4)
8	74BX	Square Box/Door Assembly - chrome standard
9	RB74-BX	Round Box/Door Assembly - chrome
	RK-75	Chrome Repair Kit (Includes Items 1-5)

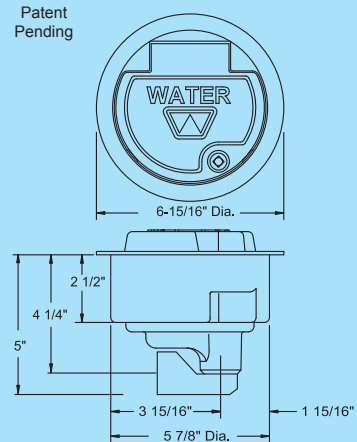


**Model 75  
Rough-In  
Dimensions**



**Model B75  
Rough-In  
Dimensions**

**Model RB75  
Rough-In  
Dimensions**



Manufactured under one or more of the following patents: U.S. Patents: 3,414,001; 4,178,956; 4,316,481; 4,532,954  
D216,790; D216,791; D277,365; D277,366; Canada Patents: 852,529; 865,995; 1,146,438

*For more information contact...*

**WOODFORD MANUFACTURING COMPANY**

2121 Waynoka Road, Colorado Springs, Colorado 80915 • Phone: (800) 621-6032 • Fax: (800) 765-4115  
To view our complete product line visit: [www.woodfordmfg.com](http://www.woodfordmfg.com) or email: [sales@woodfordmfg.com](mailto:sales@woodfordmfg.com)  
A Division Of WCM Industries, Inc.