

FOR NON-FREEZING AREAS ONLY.

Close Coupled Wall Hydrants




**With Patented Model 50
High Flow Double Check
Backflow Preventer**

Model 76/B76/RB76

The Model 76, B76, and RB76 are backflow protected wall hydrants designed for irrigation purposes in mild climate areas or within temperature controlled malls and plazas.

SPECIFICATIONS:

PATENTED HIGH FLOW DOUBLE CHECK BACKFLOW PREVENTER

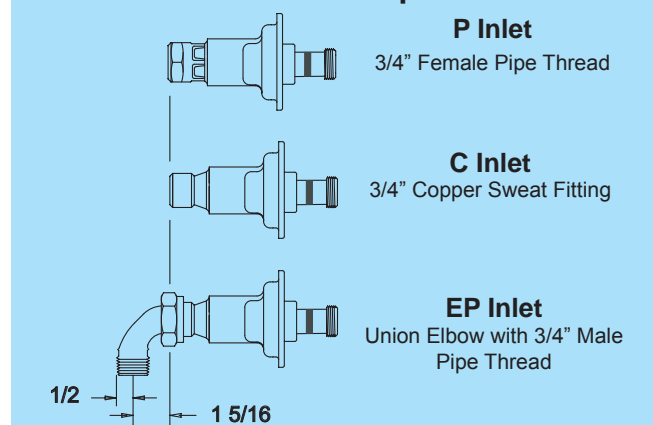
- NIDEL® Model 50HF with 3/4 inch male hose thread
- ASSE Standard 1052 approved 
- Field Testable
- Two Independent Check Valves
- Drains automatically when hose is removed
- No spray back

FEATURES:

- Permanent type brass valve body with hemispherical seating surface.
- No Lead Solder on all solder joints.
- Hardened stainless steel stem resists damage.
- EPDM packing with adjustable packing nut
- Loose key operates hydrant.
- Three inlet options (See below)
- Max Pressure: 125 p.s.i.
- Max Temperature: 120° F
- Shipping Weight:
 - Model 76.....3.3 lbs
 - Model B76....11.5 lbs
 - Model RB76...8.1 lbs

**For Installation / Troubleshooting Instructions go to
www.woodfordmfg.com or call 1-800-621-6032**

Inlet Descriptions



Specify as follows:

Wall hydrant shall be Woodford Model 76 (exposed type), B76 or RB76 (concealed box type), with ASSE 1052 approved NIDEL® Model 50HF backflow preventer. 3/4" inlet and outlet (specify type of inlet). Hardened stainless steel operating stem. Packing nut secured with lock nut. Permanent type valve body with large hemispherical seating surface. Exterior finish to be Chrome Plated (options: Polished Brass or Rough Brass). Loose tee key to be furnished with each hydrant.

When ordering, specify model number, inlet and finish.



Model 76

Exterior Finish:

Standard - Chrome (CH)
Optional - Brass (BR) Polished Brass (PB)



MODEL B76

Square Box & Door

Exterior Finish:

Standard - Chrome (CH)
Optional - Brass (BR) Polished Brass (PB)



MODEL RB76

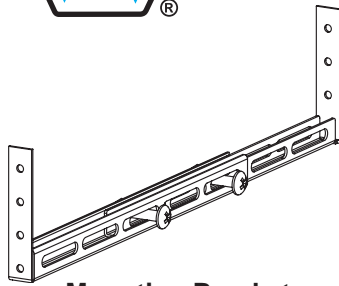
Optional Round Box & Door

Exterior Finish:

Standard - Chrome (CH)
Install through 6" diameter hole.

WOODFORD

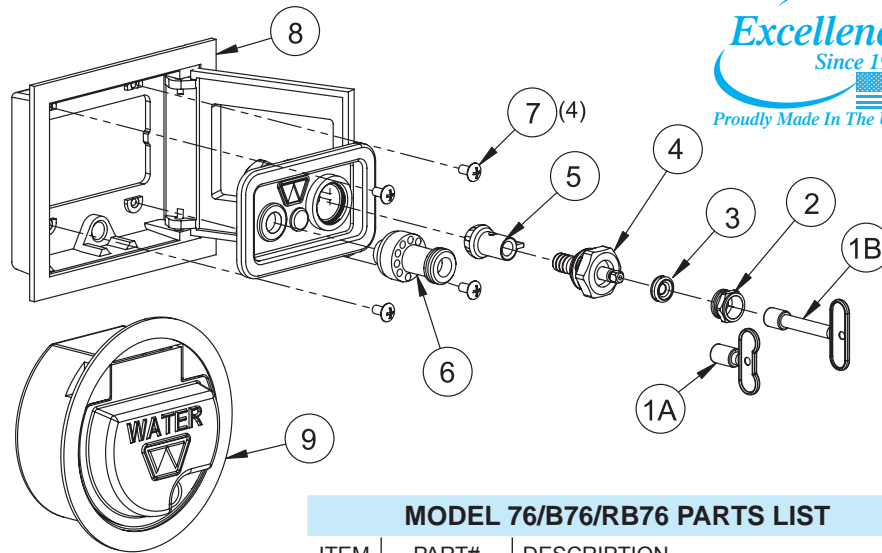
Woodford
Excellence
 Since 1929
 Proudly Made In The U.S.A.



**Mounting Bracket
 Included With B76**

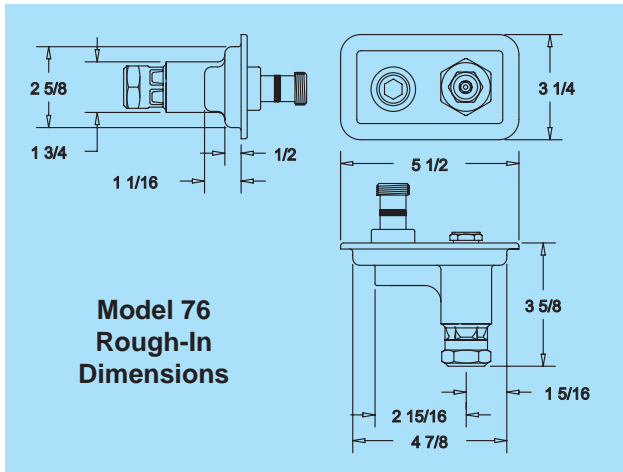
Adjust and fasten bracket in stud wall. Attach box assembly to bracket for easy installation.

May be ordered as separate item:
 RK-Bracket

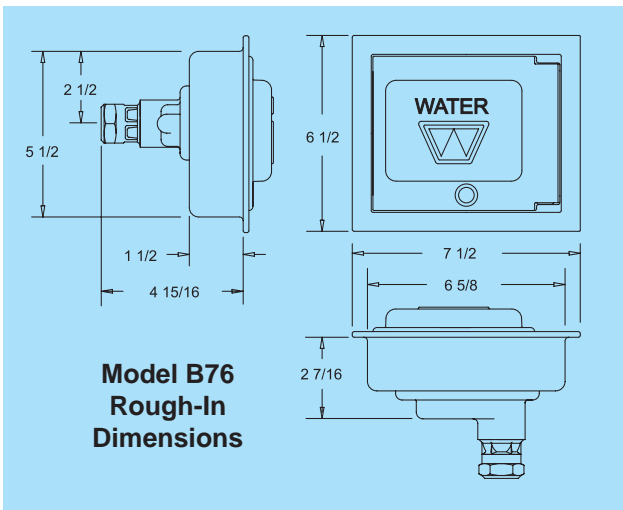


MODEL 76/B76/RB76 PARTS LIST

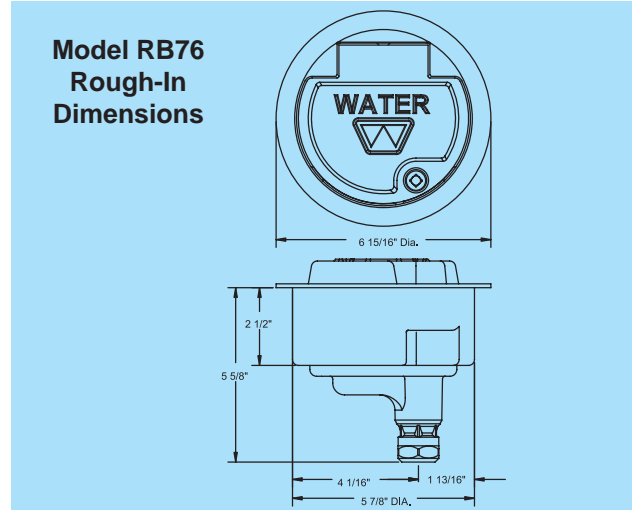
ITEM	PART#	DESCRIPTION
1A	50009	Tee Key
1B	50010	Long Tee Key (Box Models)
2	30109 30107	Packing Nut - chrome Packing Nut - brass
3	30247	Packing
4	55177 55176	Head Nut Assembly - chrome Head Nut Assembly - brass
5	55105	Yoke Nut & Valve Assembly
6	50HF-CH 50HF-BR	NIDEL® 50HF Backflow Preventer - chrome NIDEL® 50HF Backflow Preventer - brass
7	51049	Truss Head Screws (4)
8	74BX	Square Box/Door Assembly - chrome standard
9	RB74BX	Round Box/Door Assembly - chrome
	RK-71	Chrome Repair Kit (Includes Items 1-5)



**Model 76
 Rough-In
 Dimensions**



**Model B76
 Rough-In
 Dimensions**



**Model RB76
 Rough-In
 Dimensions**

Manufactured under one or more of the following patents: U.S. Patents: 3,414,001; 4,178,956; 4,316,481; 4,532,954; 8,042,565 B2 D216,790; D216,791; D277,365; D277,366; Canada Patents: 852,529; 865,995; 1,146,438

For more information contact...

WOODFORD MANUFACTURING COMPANY

2121 Waynoka Road, Colorado Springs, Colorado 80915 • Phone: (800) 621-6032 • Fax: (800) 765-4115

To view our complete product line visit: www.woodfordmfg.com or email: sales@woodfordmfg.com

A Division Of WCM Industries, Inc.