

**FOR NON-FREEZING AREAS ONLY.**

**NEW 360° SWIVEL INLET**

The Model 79, B79 and RB79 are backflow protected wall hydrants designed for use in mild climate areas or within temperature controlled buildings. The Model 79 is only 2-5/8" deep and fits inside a stud wall. The B79 fits inside a 4" wall.

**SPECIFICATIONS:**  
**HOSE CONNECTION BACKFLOW PREVENTER –**

- NIDEL® Model 37HF with 3/4 inch male hose thread
- ASSE Standard 1052 approved
- IAPMO® listed
- Field Testable
- Two check valves

**VALVE SEAT** – Permanent type brass valve body with hemispherical seating surface.

**STEM** – Hardened stainless steel stem resists damage.

**PACKING** – EPDM rubber with adjustable packing nut.

**TEE KEY** – Loose key operates hydrant.

**INLET** – 3/4" female pipe thread. Inlet swivels 360° to any position.

**MAX PRESSURE** – 125 p.s.i.

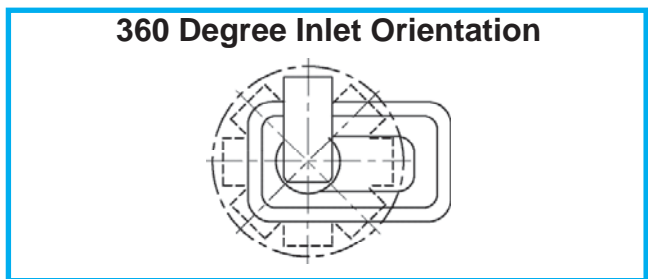
**MAX TEMPERATURE** - 120° F

**OPTIONS** - RK Bracket Kit

**SHIPPING WEIGHT** – **Model 79:** 3.4 lbs.  
**Model B79:** 10.5 lbs.  
**Model RB79:** 8.2 lbs.

**Specify as follows:**

Wall hydrant shall be Woodford Model 79 (exposed type), B79 or RB79 (concealed box type), with backflow preventer listed by ASSE and IAPMO. 3/4" inlet and outlet. 360° inlet orientation. Hardened stainless steel operating stem. Packing nut secured with lock nut. Permanent type valve body with large hemispherical seating surface. Exterior finish to be Chrome Plated (options: Polished Brass or Rough Brass). Loose tee key to be furnished with each hydrant.



**Backflow Protected  
Close Coupled  
Trimline Wall Hydrants  
Model 79/B79/RB79**



**MODEL 79**  
Exterior Finish:  
Standard - Chrome (CH)  
Optional - Brass (BR) Polished Brass (PB)



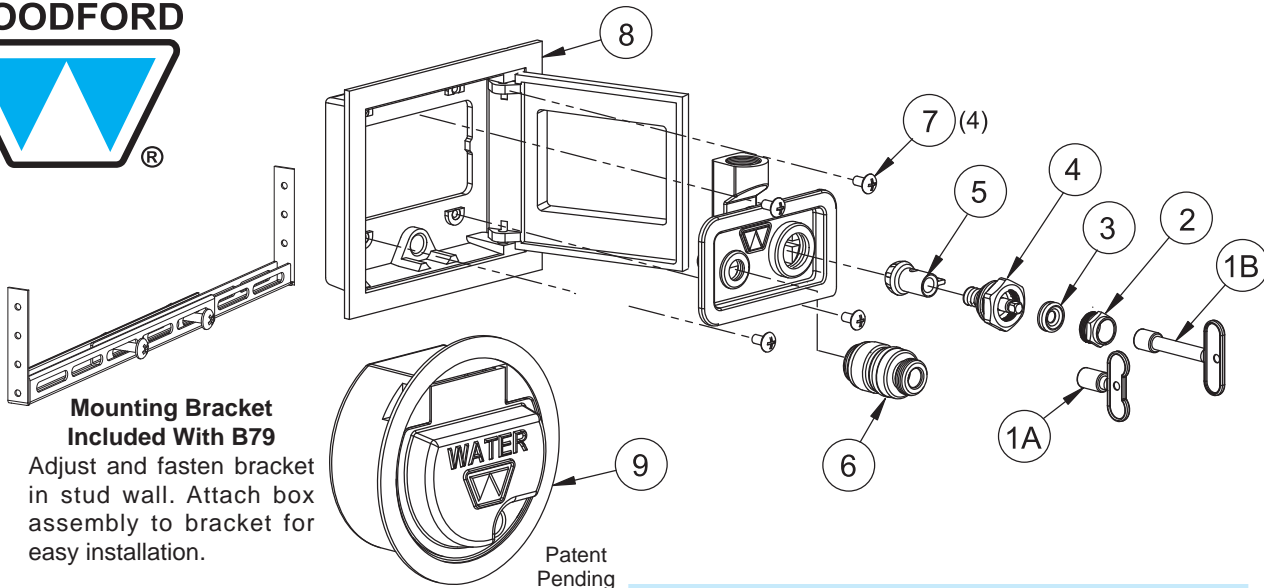
**MODEL B79**  
Exterior Finish: Square Box & Door  
Standard - Chrome (CH)  
Optional - Brass (BR) Polished Brass (PB)



**MODEL RB79**  
Optional Round Box & Door  
Exterior Finish: Standard - Chrome (CH)  
Fits 6" dia. cored hole.

**When ordering, specify model number, and finish.**

**WOODFORD**



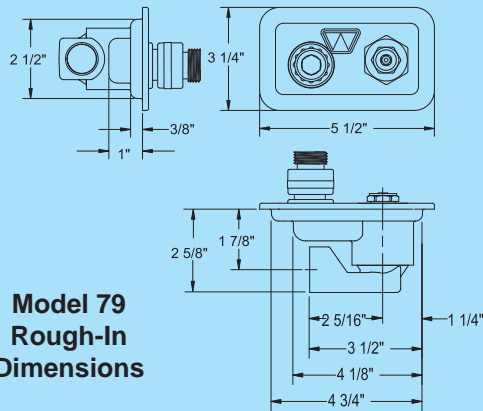
**Mounting Bracket  
Included With B79**

Adjust and fasten bracket in stud wall. Attach box assembly to bracket for easy installation.

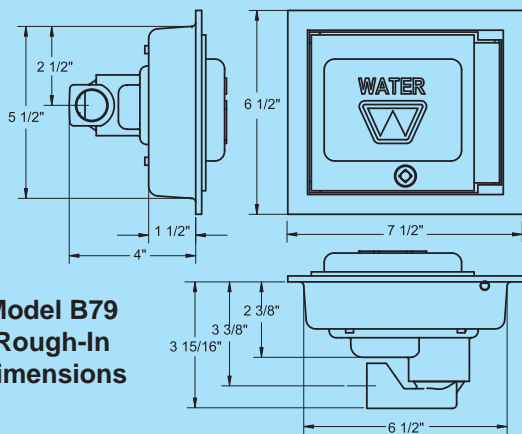
Patent Pending

**MODEL 79/B79/RB79 PARTS LIST**

ITEM	PART#	DESCRIPTION
1A	50009	Tee Key
1B	50010	Long Tee Key (Box Models)
2	30109 30107	Packing Nut - chrome Packing Nut - brass
3	30247	EPDM Packing
4	55183 55182	Head Nut Assembly - chrome Head Nut Assembly - brass
5	55105	Yoke Nut & Valve Assembly
6	37HF-CH 37HF-BR	Backflow Preventer - chrome Backflow Preventer - brass
7	51049	Truss Head Screws (4)
8	74BX	Square Box/Door Assembly - chrome standard
9	RB74-BX	Round Box/Door Assembly - chrome
	RK-75	Chrome Repair Kit (Includes Items 1-5)



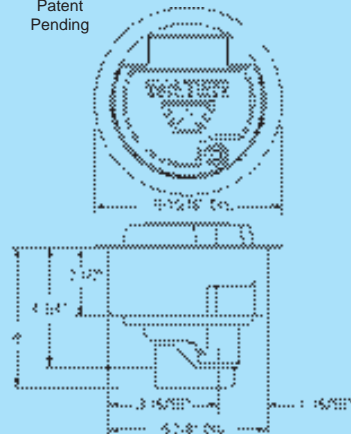
**Model 79  
Rough-In  
Dimensions**



**Model B79  
Rough-In  
Dimensions**

Patent Pending

**Model RB79  
Rough-In  
Dimensions**



Manufactured under one or more of the following patents: U.S. Patents: 3,414,001; 4,178,956; 4,316,481; 4,532,954  
D216,790; D216,791; D277,365; D277,366; Canada Patents: 852,529; 865,995; 1,146,438

For more information contact...

**WOODFORD MANUFACTURING COMPANY**

2121 Waynoka Road, Colorado Springs, Colorado 80915 • Phone: (800) 621-6032 • Fax: (800) 765-4115

To view our complete product line visit: [www.woodfordmfg.com](http://www.woodfordmfg.com) or email: [sales@woodfordmfg.com](mailto:sales@woodfordmfg.com)

A Division Of WCM Industries, Inc.