

FOR NON-FREEZING AREAS ONLY.

This unit offers anti-siphon protection.

The Model 84 is an anti-siphon protected wall hydrant designed for use in mild climate areas or within temperature controlled malls and plazas.

SPECIFICATIONS:

VACUUM BREAKER – ANTI-SIPHON - NIDEL® Model 34HF with $\frac{3}{4}$ inch male hose thread, approved under ASSE Standard 1011, Canadian Standards Association and listed by IAPMO®.

VALVE SEAT – Permanent type brass valve body with hemispherical seating surface.

NO LEAD SOLDER - All solder joints.

STEM – Hardened stainless steel stem resists damage.

PACKING – EPDM rubber with adjustable packing nut.

TEE KEY – Loose key operates hydrant.

INLETS – As shown.

MAX PRESSURE – 125 p.s.i.

MAX TEMPERATURE - 120° F

SHIPPING WEIGHT – 3.0 lbs.

Specify as follows:

Wall hydrant shall be Woodford Model 84. Anti-siphon vacuum breaker listed by ASSE, CSA and IAPMO. $\frac{3}{4}$ " inlet and outlet (specify type of inlet). Hardened stainless steel operating stem. Packing nut secured with lock nut. Permanent type valve body with large hemispherical seating surface. Exterior finish to be Chrome Plated (options: Polished Brass or Rough Brass). Loose tee key to be furnished with each hydrant.

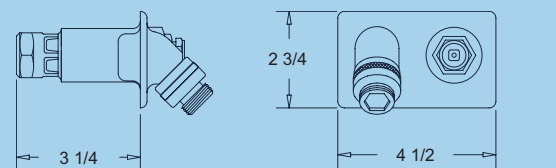
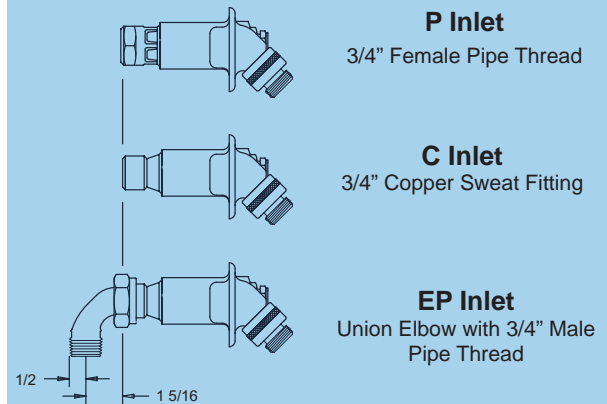
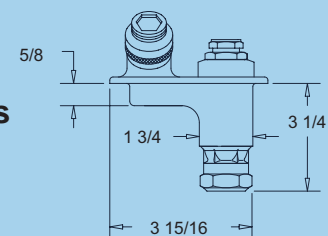
WOODFORD



Anti-Siphon Close Coupled Wall Hydrants Model 84

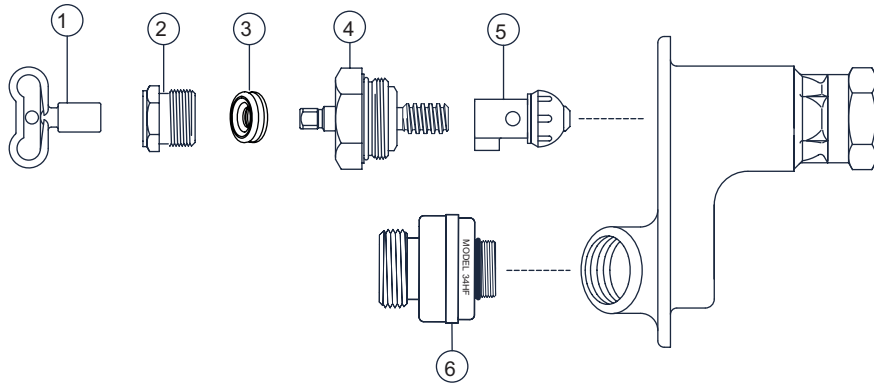
**Model 84**

Exterior Finish:
Standard - Chrome (CH)
Optional - Brass (BR) Polished Brass (PB)

Inlet Descriptions**Rough-In
Dimensions**

When ordering, specify model number, inlet and finish.

WOODFORD



MODEL 84 PARTS LIST

ITEM	PART#	DESCRIPTION
1	RK-STK	Tee Key
2	30109 30107	Packing Nut - chrome Packing Nut - brass
3	30247	EPDM Packing
4	55177 55176	Head Nut Assembly - chrome Head Nut Assembly - brass
5	55105	Yoke Nut & Valve Assembly
6	34HF-CH 34HF-BR	Vacuum Breaker - chrome Vacuum Breaker - brass
	RK-71	Chrome Repair Kit (Includes Items 1-5)

Manufactured under one or more of the following patents: U.S. Patents: 3,414,001; 4,178,956; 4,316,481; 4,532,954
D216,790; D216,791; D277,365; D277,366; Canada Patents: 852,529; 865,995; 1,146,438

For more information contact...

WOODFORD MANUFACTURING COMPANY

2121 Waynoka Road, Colorado Springs, Colorado 80915 • Phone: (800) 621-6032 • Fax: (800) 765-4115
To view our complete product line visit: www.woodfordmfg.com or email: sales@woodfordmfg.com
A Division Of WCM Industries, Inc.