

FOR NON-FREEZING AREAS ONLY.

This unit offers backflow protection.

The Model 86 is a backflow protected wall hydrant designed for use in mild climate areas or within temperature controlled malls and plazas.

SPECIFICATIONS:**HOSE CONNECTION BACKFLOW PREVENTER –**

- NIDEL® Model 37HF with 3/4 inch male hose thread
- ASSE Standard 1052 approved
- IAPMO® listed
- Field Testable
- Two check valves

VALVE SEAT – Permanent type brass valve body with hemispherical seating surface.

NO LEAD SOLDER - All solder joints.

STEM – Hardened stainless steel stem resists damage.

PACKING – EPDM rubber with adjustable packing nut.

TEE KEY – Loose key operates hydrant.

INLETS – As shown.

MAX PRESSURE – 125 p.s.i.

MAX TEMPERATURE - 120° F

SHIPPING WEIGHT – 3.5 lbs.

Specify as follows:

Wall hydrant shall be Woodford Model 86 with backflow preventer listed by ASSE and IAPMO. 3/4" inlet and outlet (specify type of inlet). Hardened stainless steel operating stem. Packing nut secured with lock nut. Permanent type valve body with large hemispherical seating surface. Exterior finish to be Chrome Plated (options: Polished Brass or Rough Brass). Loose tee key to be furnished with each hydrant.

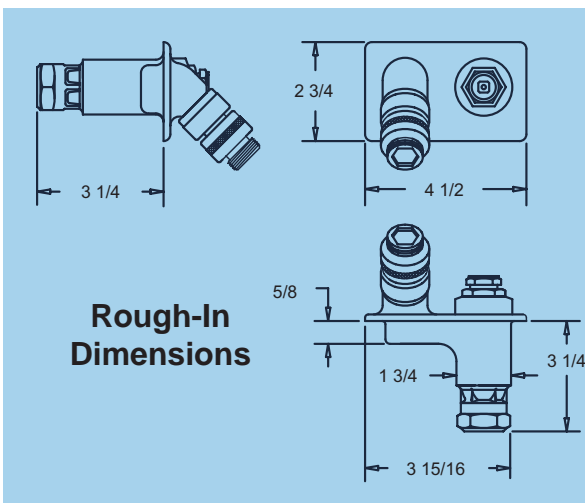
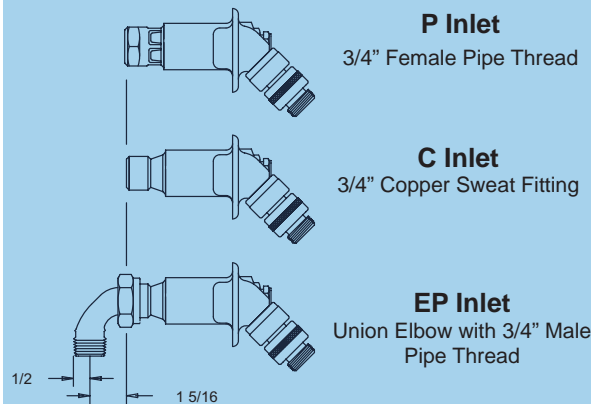
WOODFORD



Backflow Protected Close Coupled Wall Hydrants Model 86

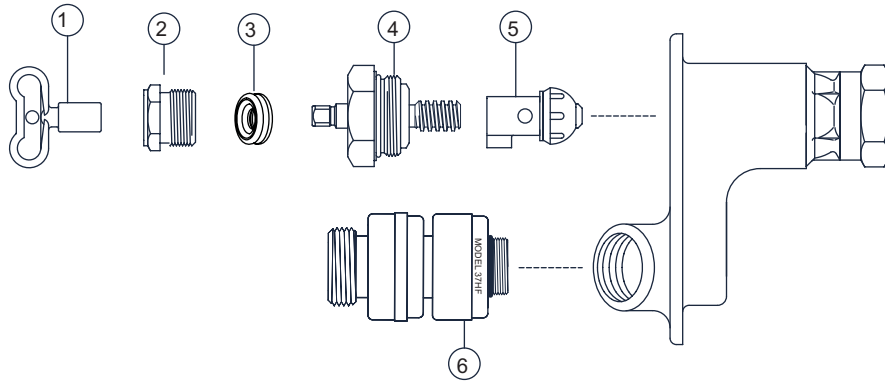
**Model 86**

Exterior Finish:
Standard - Chrome (CH)
Optional - Brass (BR) Polished Brass (PB)

Inlet Descriptions**Rough-In
Dimensions**

When ordering, specify model number, inlet and finish.

WOODFORD



MODEL 86 PARTS LIST

ITEM	PART#	DESCRIPTION
1	RK-STK	Tee Key
2	30109 30107	Packing Nut - chrome Packing Nut - brass
3	30247	Packing
4	55177 55176	Head Nut Assembly - chrome Head Nut Assembly - brass
5	55105	Yoke Nut & Valve Assembly
6	37HF-CH 37HF-BR	Backflow Preventer - chrome Backflow Preventer - brass
	RK-71	Chrome Repair Kit (Includes Items 1-5)

Manufactured under one or more of the following patents: U.S. Patents: 3,414,001; 4,178,956; 4,316,481; 4,532,954
D216,790; D216,791; D277,365; D277,366; Canada Patents: 852,529; 865,995; 1,146,438

For more information contact...

WOODFORD MANUFACTURING COMPANY

2121 Waynoka Road, Colorado Springs, Colorado 80915 • **Phone:** (800) 621-6032 • **Fax:** (800) 765-4115
To view our complete product line visit: www.woodfordmfg.com or email: sales@woodfordmfg.com
A Division Of WCM Industries, Inc.