


The Model V26 is an anti-siphon, vacuum breaker protected wall faucet designed for irrigation purposes in mild climate areas. The Model V26 is designed to be mounted directly to a wall or column with a top mount inlet. Designed to blend with modern architecture for installation on or in service stations, custodial services, churches, motels, restaurants, etc.

# Anti-Siphon Wall Faucets Model V26



## SPECIFICATIONS:

### VACUUM BREAKER - ANTI-SIPHON:

- NIDEL® Model 50HF with 3/4 inch male hose thread
- ASSE Standard 1052 approved 
- IAPMO® listed

**EPDM PACKING:** Prevents leaking.

**PACKING NUT:** Adjustable brass nut with deep stem guard.

**VALVE SEAT:** Standard "O" size washer.

**HANDLES:** Furnished with a polycarbonate handle and loose tee key. Or add -MH for Metal Handle no tee key.

**INLET:** 1/2 FPT.

**MAX PRESSURE:** 125 p.s.i.

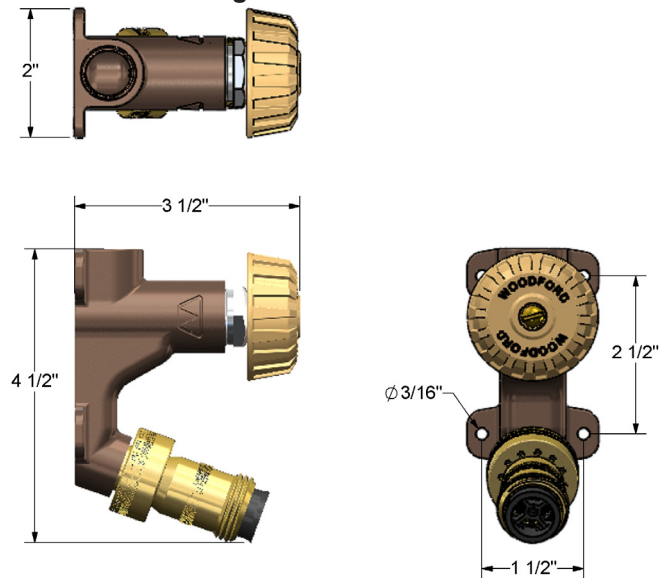
**MAX TEMPERATURE:** 120° F

**SHIPPING WEIGHT:** (per unit): 1.4 lb

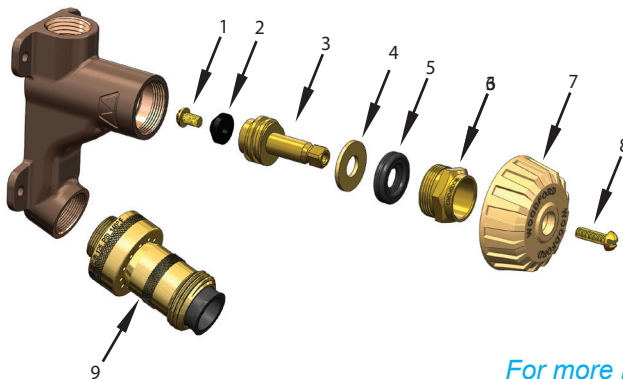
**EXTERIOR FINISH:** Chrome (CH) or Rough Brass (BR)



Chrome (CH)  
**Inlet Description**  
Top Inlet 1/2" FPT  
**Rough-In Dimensions**



MODEL V26 PARTS LIST		
ITEM	PART#	DESCRIPTION
1	30009	Washer Screw
2	30008	Washer
3	30104	Operating Stem
4	30105	Packing Support Washer
5	30247	EPDM Packing
6	30109	Packing Nut - Chrome
	30107	Packing Nut - Brass
7	30120	Wheel Handle - Clear
	30233	Wheel Handle - Tan
8	30121	Handle Screw - Nickel
	30002	Handle Screw - Brass
9	50HF-CH	50HF Vacuum Breaker - Chrome
	50HF-BR	50HF Vacuum Breaker - Brass
	50009	Tee Key
-MH	30106	Metal Handle Chrome Option
	30239	Metal Handle Brass Option



**For Installation / Troubleshooting Instructions go to**  
<https://www.woodfordmfg.com>  
**Patent Information is available at:**  
<https://www.Woodfordmfg.com/patents/>  
**or call 1-800-621-6032**

*For more information contact...*

## WOODFORD MANUFACTURING COMPANY, LLC

2121 Waynoka Road, Colorado Springs, Colorado 80915 • Phone: (800) 621-6032

To view our complete product line visit: [www.woodfordmfg.com/Woodford/](http://www.woodfordmfg.com/Woodford/)

email: [sales@woodfordmfg.com](mailto:sales@woodfordmfg.com) POs: [PO@woodfordmfg.com](mailto:PO@woodfordmfg.com)