



# Freezeless Yard Hydrant Model R34

The Woodford R34 freezeless yard hydrant is intended for irrigation purposes and offers immediate water flow even in sub-zero temperatures. The R34 can be used for many applications such as filling field spray equipment, cleaning equipment or tools, livestock watering, garden and lawn care. The shut-off valve for the hydrant is below the frost line when installed properly, which allows the water in the standpipe to drain out a hole in the valve body. When the hydrant is shut-off, and all devices removed from nozzle, the hydrant will drain and not freeze.

## FEATURES:

**Head & Handle:** Ductile iron

**All Metal Construction:** No plastic components

**Packing:** Graphite for lubricity and long life

**Valve Seat:** Permanent brass valve body with large hemispherical seating surface.

**Operation:** 90° handle lift for full on

**Nozzle:** 3/4" brass hose nozzle

**Casing:** 1" Galvanized steel pipe

**Operating Rod:** 3/8" Steel rod

**Adjustable Pivot Block:** Provides easy and positive adjustment of the lever lock in tension

**Tamperproof Lock:** Can be padlocked in closed position

**Inlet Specifications:** 3/4" FPT

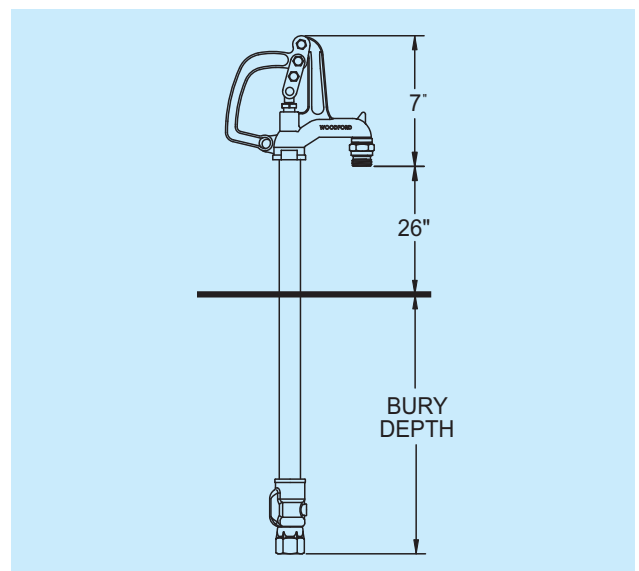
**MAX PRESSURE** - 125 p.s.i.

**MAX TEMPERATURE** - 120° F

## SHIPPING WEIGHT

Bury Depth (Ft)	1	2	3	4	5	6	7
Shipping Wt. (Lbs)	9.2	11.3	13.4	15.5	17.6	19.7	21.8
Overall Length	45"	57"	69"	81"	93"	105"	117"

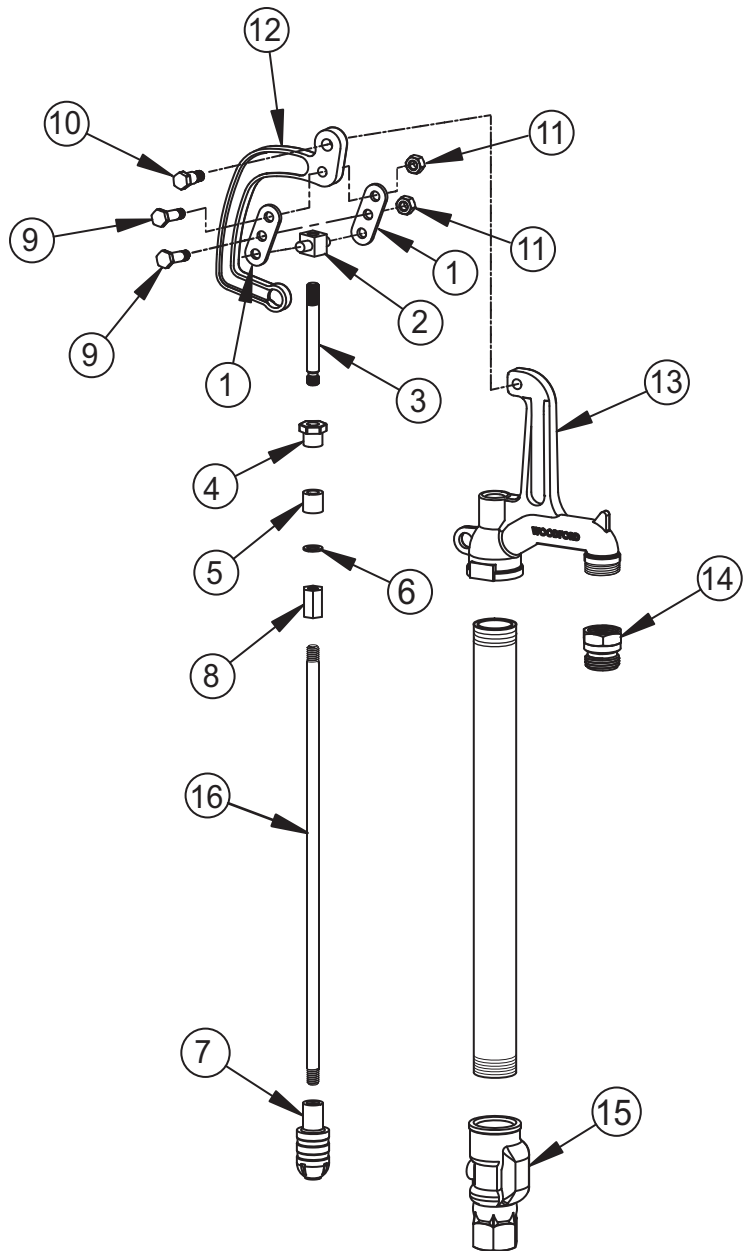
**MADE IN U.S.A**  
**90% U.S. Content**



*When ordering, specify model and bury depth.*

**WOODFORD****MODEL R34 PARTS LIST**

ITEM	PART#	DESCRIPTION
	15246	R34 Head & Nozzle Assembly Includes items 13 & 14
	15247	R34 Head Assembly - Complete Includes items 1-5 & 7-14
1	10620	Link Plate (2)
2	10619	Pivot Square
3	10588	Rod Stem
4	10100	Packing Nut
5	10101	Packing
6	10102	Packing Support Washer
7	10108	Plunger
8	10481	Coupling Nut
9	10589	Link Bolt
10	10590	Handle Shoulder Bolt
11	10206	Hex Nut (2)
12	10587	Handle
13	10586	Head
14	10004	3/4" Brass Hose Nozzle
15	10018	Valve Body
16		Operating Rod
	10591	1' Bury (35-15/16" Long)
	10592	2' Bury (47-15/16" Long)
	10593	3' Bury (59-15/16" Long)
	10594	4' Bury (71-15/16" Long)
	10595	5' Bury (83-15/16" Long)
	10596	6' Bury (95-15/16" Long)
	10600	7' Bury (107-15/16" Long)
	RK-R34	Repair Kit (Includes items 1-7)



**Woodford**  
*Excellence*  
 Since 1929  
 Proudly Made In The U.S.A.

*For more information contact...*

**WOODFORD MANUFACTURING COMPANY**

2121 Waynoka Road, Colorado Springs, Colorado 80915 • Phone: (800) 621-6032 • Fax: (800) 765-4115

To view our complete product line visit: [www.woodfordmfg.com](http://www.woodfordmfg.com) or email: [sales@woodfordmfg.com](mailto:sales@woodfordmfg.com)

A Division Of WCM Industries, Inc.