



Anti-Siphon Freezeless Yard Hydrants Model Y95

Woodford Model Y95 lawn hydrants are installed flush with surrounding surfaces. This brass box enclosed hydrant is intended for irrigation purposes on golf courses, in parks and recreation areas, shopping center malls, and landscaped areas around buildings.

SPECIFICATIONS:

MODEL 50HF BACKFLOW PREVENTER -

Patent Pending

- ASSE 1052 Approved
- Listed by IAPMO
- Field Testable
- Two Independent Check Valves
- Drains automatically when hose is removed
- No spray back

FEATURES:

TAMPER PROOF - The hinged door lock uses the same tee key that operates hydrant to prevent unauthorized use.

ONE PIECE VARIABLE FLOW PLUNGER - Large cushion type seal for longer life - is not easily damaged and assures shut-off even when foreign particles are present. Automatic drain feature - plunger opens drain to prevent freezing when hose is removed.

VALVE SEAT - Permanent type brass valve body with hemispherical seating surface.

PACKING - EPDM rubber with adjustable packing nut.

BOX - Deep box, brass casting with 1/4" NPS drain hole.

FINISH - Brass box, door and head casting.

FEMALE INLET - 3/4" N.P.T.

DRAIN HOLE - 1/8" N.P.T.

CASING - 1" galvanized steel pipe

Optional - 1" brass pipe

OPERATING ROD - 3/8" galvanized steel pipe

Optional - 3/8" brass pipe

MAX PRESSURE - 125 p.s.i.

MAX TEMPERATURE - 120° F

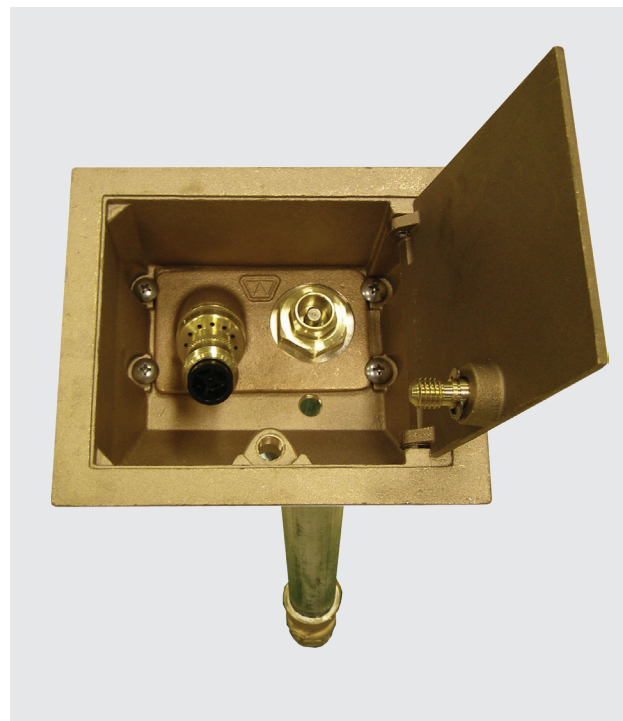
SHIPPING WEIGHT -

| | | | | | | | |
|-----------------|----|----|----|----|----|----|----|
| Bury Depth (ft) | 1 | 2 | 3 | 4 | 5 | 6 | 7 |
| Weight (lbs) | 14 | 16 | 18 | 21 | 23 | 26 | 28 |

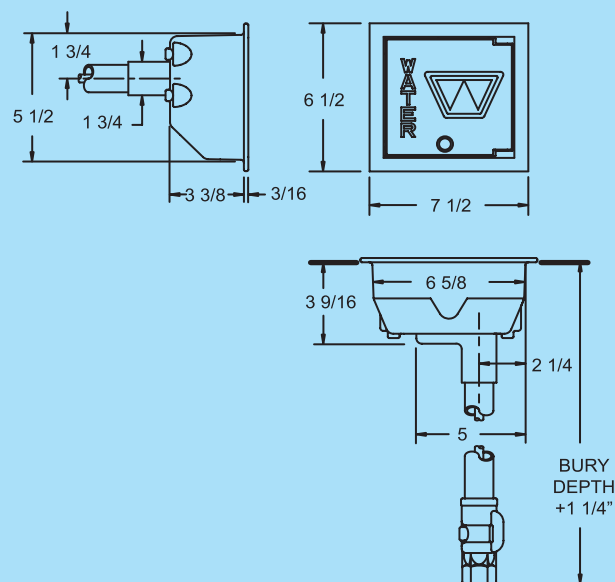
For Installation / Troubleshooting Instructions go to www.woodfordmfg.com or call 1-800-621-6032

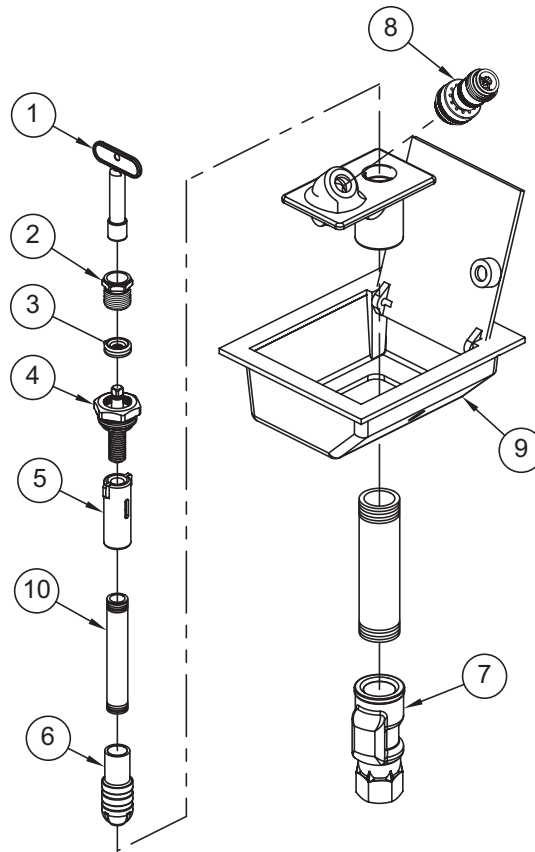
Backflow Preventer replacement is recommended every 3-5 years.

When ordering, specify model number, inlet and finish.



Rough-In Dimensions





MODEL Y95 PARTS LIST

| ITEM | PART# | DESCRIPTION |
|------|---------|---|
| 1 | 50010 | Tee Key |
| 2 | 30107 | Packing Nut |
| 3 | 30247 | EPDM Packing |
| 4 | 55176 | Head Nut Assembly |
| 5 | 10109 | Yoke Nut |
| 6 | 10105 | Plunger |
| 7 | 10018 | Valve Body |
| 8 | 50HF-BR | 50HF Vacuum Breaker-Brass |
| 9 | 55020 | Box Assembly |
| 10 | | 3/8" OPERATING PIPE (Bury Depth & Length) |
| | 10031 | 1' Bury (4-1/8" long) |
| | 10032 | 2' Bury (16-1/8" long) |
| | 10033 | 3' Bury (28-1/8" long) |
| | 10034 | 4' Bury (40-1/8" long) |
| | 10035 | 5' Bury (52-1/8" long) |
| | 10036 | 6' Bury (64-1/8" long) |
| | 10037 | 7' Bury (76-1/8" long) |
| | RK-Y95 | Repair Kit (Includes Items 1-6) |

For more information contact...

WOODFORD MANUFACTURING COMPANY

2121 Waynoka Road, Colorado Springs, Colorado 80915 • Phone: (800) 621-6032 • Fax: (800) 765-4115
 To view our complete product line visit: www.woodfordmfg.com or email: sales@woodfordmfg.com