

## For Commercial Applications

Job Name \_\_\_\_\_ Item Designation \_\_\_\_\_

Job Location \_\_\_\_\_ Contractor \_\_\_\_\_

Engineer \_\_\_\_\_ Representative \_\_\_\_\_

Wall Thickness: \_\_\_\_\_ Inlet: P\_\_ C\_\_ (P1\_\_ EP\_\_ **MADE TO ORDER, NO RETURN**) Finish: CH\_\_ BR\_\_ PB\_\_ AL\_\_

# Woodford

## Model B67 Box Type

### Backflow Protected

### Freezeless Wall Hydrant

The Model B67 is an automatic draining, freezeless wall hydrant with hose connection Backflow Protection and housed in a tamper resistant brass box. The hydrant drains as handle is shut off, *even if hose is attached*. The Model B67 is intended for irrigation purposes and is designed to blend in with modern architecture for installation on restaurants, schools, office buildings, churches, apartments, motels, stores, shopping centers and industrial buildings.

**Sizes:** 4" - 24" (in 2" increments)  
CC (Close Coupled) for non-freezing climates

#### Features:

- Red Brass head, box and door
  - Optional: Anodized Aluminum (AL) box and door
- One piece box construction
- 3/8" solid brass operating rod
- Copper casing tubes
- Hardened stainless steel operating stem
- One piece valve plunger
- 4 inlet options
- Loose tee key operation
- No Lead Solder - All joints
- Supplied with adjustable wall clamp

#### Specifications:

##### **PATENTED HIGH FLOW DOUBLE CHECK BACKFLOW PREVENTER**

- NIDEL® Model 50HA with 3/4 inch male hose thread
- ASSE Standard 1052 approved
- Field Testable
- Two Independent Check Valves
- Drains automatically when hose is removed
- No spray back
- **Maximum Working Pressure:** 125 p.s.i.
- **Maximum Temperature:** 120° F

#### Specify as follows:

Wall hydrant shall be a box type Woodford Model B67, automatic draining with ASSE 1052 approved NIDEL® Model 50HA high flow double check backflow preventer. 3/4" inlet and outlet (specify type of inlet). Hardened stainless steel operating stem and one-piece valve plunger to control both flow and drain functions. Exterior finish to be Chrome Plated (options: Rough Brass, Polished Brass or Anodized Aluminum). Loose tee key to be furnished with each hydrant. Intended for irrigation purposes. Wall thickness to be \_\_\_\_\_ inches.



#### Exterior Finish:

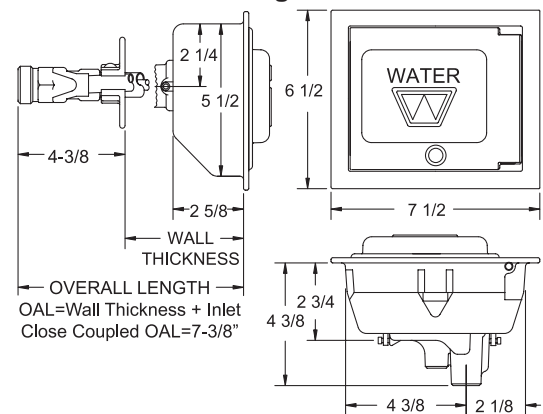
Standard - Chrome (CH)

Optional - Brass (BR) Polished Brass (PB)

Anodized Aluminum (AL)

Fits two standard modular brick course or one course of facing tile.

#### Rough-In



#### Inlet Options

P - 3/4" Female Pipe Thread

P1 - 1" Male Pipe Thread

C - 3/4" Copper Water Tube

EP - Union Elbow with 3/4" Male Pipe Thread



#### WOODFORD MANUFACTURING COMPANY

2121 WAYNOKA ROAD

COLORADO SPRINGS, CO 80915

Phone (800) 621-6032 Fax (800) 765-4115

Website: [www.woodfordmfg.com](http://www.woodfordmfg.com)

Email: [sales@woodfordmfg.com](mailto:sales@woodfordmfg.com)