

## For Commercial Applications

Job Name \_\_\_\_\_ Item Designation \_\_\_\_\_  
Job Location \_\_\_\_\_ Contractor \_\_\_\_\_  
Engineer \_\_\_\_\_ Representative \_\_\_\_\_  
Inlet: 3/4" Female Pipe Thread *Only* Finish: CH \_\_\_\_

### For Non Freezing Areas

# Woodford

## Model RB75 Round Box Type

### Anti-Siphon Protected

### 360° Close Coupled Inlet

### Trimline Wall Hydrant

The Model RB75 is an anti-siphon protected wall hydrant housed in a round, tamper resistant silicon bronze box. Designed especially for tip-up wall construction, the round box assembly can be installed through a 6" diameter core drilled hole. Hydrant is designed for use in mild climate areas or within temperature controlled buildings.

#### Features:

- Red Brass head & valve body
- Silicon bronze box & door
- One piece box construction
- Hemispherical valve seat
- Hardened stainless steel operating stem
- EPDM Packing
- Adjustable brass packing nut
- Loose Tee Key operation
- 3/4" female pipe thread inlet swivels 360° to any position

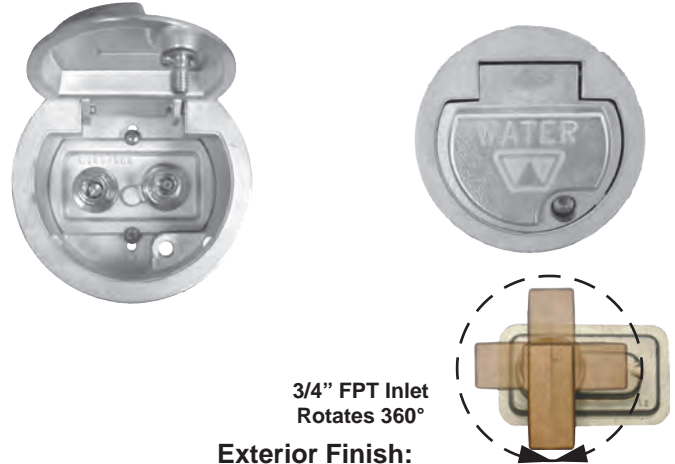
#### Specifications:

- **HOSE CONNECTION VACUUM BREAKER:**
  - NIDEL® Model 34HF with 3/4" hose connection
  - ASSE Standard 1011 approved
  - IAPMO® listed
  - Canadian Standards Association listed
  - Single check valve

- **Maximum Working Pressure:** 125 p.s.i.
- **Maximum Temperature:** 120° F

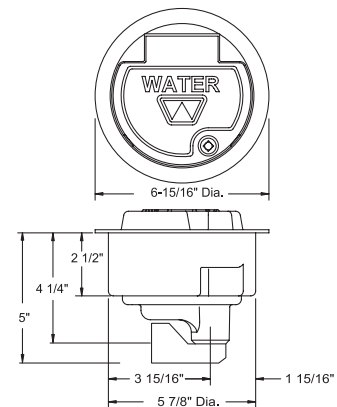
#### Specify as follows:

Wall hydrant shall be a round box type Woodford Model RB75 for non-freezing areas with anti-siphon vacuum breaker. ASSE Standard 1011 approved. 3/4" hose connection inlet and outlet. 360° inlet orientation. Hardened stainless steel operating stem. Packing nut secured with lock nut. Permanent type valve body with large hemispherical seating surface. Exterior finish to be Chrome Plated. Loose tee key to be furnished with each hydrant.



3/4" FPT Inlet  
Rotates 360°  
**Exterior Finish:**  
Box & Door - Chrome (CH) Only

#### Rough-In Dimensions



#### WOODFORD MANUFACTURING COMPANY

2121 WAYNOKA ROAD  
COLORADO SPRINGS, CO 80915  
Phone (800) 621-6032 Fax (800) 765-4115  
Website: [www.woodfordmfg.com](http://www.woodfordmfg.com)  
Email: [sales@woodfordmfg.com](mailto:sales@woodfordmfg.com)