

For Commercial Applications

Job Name _____ Item Designation _____

Job Location _____ Contractor _____

Engineer _____ Representative _____

Wall Thickness: _____ Inlet: P__ C__ (P1__ EP__ **MADE TO ORDER, NO RETURN**) Head Only Finish: - Chrome Std.
Optional: Rough Brass _____

Woodford Model 68

Backflow Protected Automatic Draining Freezeless *UNDERCOVER WALL HYDRANT™*



The Model 68 is an automatic draining, freezeless wall hydrant with hose connection Backflow Protection and a unique, integral, locking head cover. The *UNDERCOVER WALL HYDRANT™* is intended for irrigation purposes and is designed to blend in with modern architecture for installation on restaurants, schools, office buildings, churches, apartments, motels, stores, shopping centers and industrial buildings.

Sizes: 4" - 24" (in 2" increments)
CC (Close Coupled) for non-freezing climates

Features:

- Flip down 16 ga. stainless steel cover with Tee Key lock
- Drain port under nozzle diverts water away from building
- Chrome plated red brass head
- 3/8" solid brass operating rod
- Copper casing tubes with built-in slope
- Hardened stainless steel operating stem
- One piece valve plunger
- 4 inlet options
- Loose tee key operation
- No Lead Solder - All joints
- Supplied with adjustable wall clamp

Specifications:

- ASSE 1053 listed hydrant 
- Patented high flow double check backflow preventer
 - NIDEL® Model 50HA with 3/4" inch male hose thread
 - ASSE Standard 1052 approved 
 - Field Testable
 - Two Independent Check Valves
 - Automatically drains - even with hose attached
 - No spray back

• **Maximum Working Pressure:** 125 p.s.i.

• **Maximum Temperature:** 120° F

Specify as follows:

Wall hydrant shall be Woodford ASSE 1053 listed Model 68, automatic draining with ASSE 1052 approved NIDEL® Model 50HA high flow double check backflow preventer. 3/4" inlet and outlet (specify type of inlet). Hardened stainless steel operating stem and one-piece valve plunger to control both flow and drain functions. Exterior finish to be stainless steel. Loose tee key to be furnished with each hydrant. Intended for irrigation purposes. Wall thickness to be _____ inches.

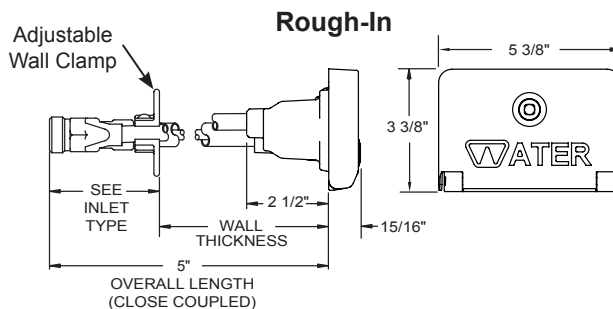


Exterior Finish:

Standard - Chrome (CH)

Optional - Brass (BR)

Fits one standard modular brick course.



Overall Length = Wall Thickness + Inlet
Close Coupled Overall Length = 5"

Inlet Options

P - 3/4" Female Pipe Thread

P1 - 1" Male Pipe Thread

C - 3/4" Copper Water Tube

EP - Union Elbow with 3/4" Male Pipe Thread



WOODFORD MANUFACTURING COMPANY

2121 WAYNOKA ROAD

COLORADO SPRINGS, CO 80915

Phone (800) 621-6032 Fax (800) 765-4115

Website: www.woodfordmfg.com

Email: sales@woodfordmfg.com