

# INSTALLATION INSTRUCTIONS



For more information contact...

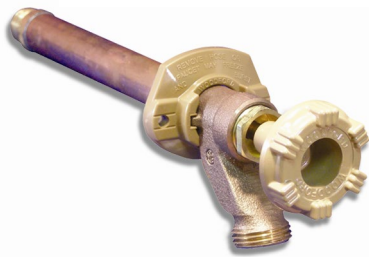
## WOODFORD MANUFACTURING COMPANY, LLC.

2121 Waynoka Road, Colorado Springs, Colorado 80915 • Phone: (800) 621-6032 • Fax: (800) 765-4115

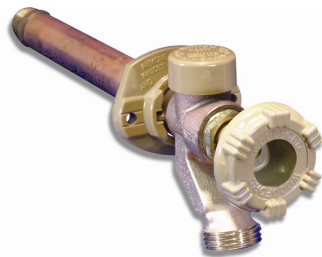
To view our complete product line visit: [www.woodfordmfg.com](http://www.woodfordmfg.com) or email: [sales@woodfordmfg.com](mailto:sales@woodfordmfg.com)

Rev 11/19 Form No. II17.103

## Model 14 & 17 Freezeless Wall Faucet



Model 14  
No anti-siphon protection

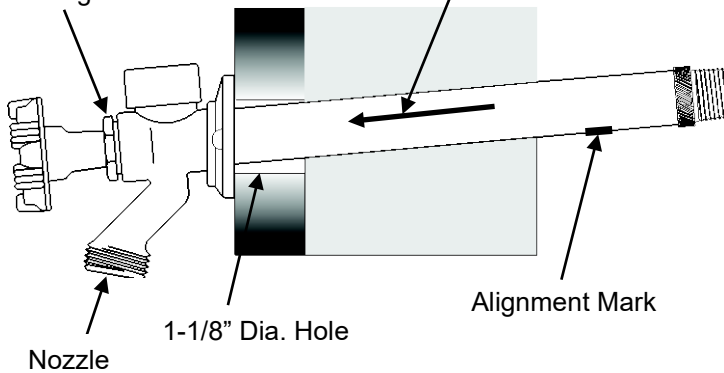


Model 17  
Anti-siphon protected.

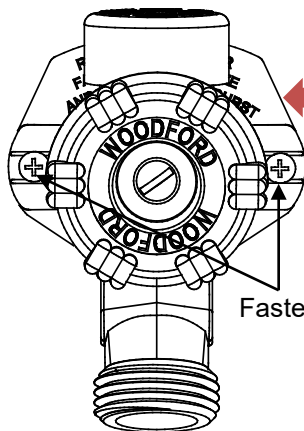
**FIGURE 1**

Packing Nut

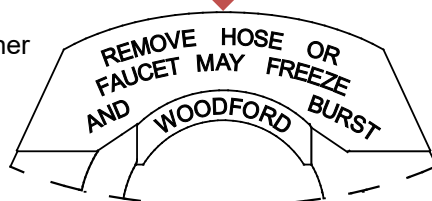
Downward Pitch



**FIGURE 2**



Refer to important reminder on Wall Flange.



Wall faucets must be properly installed and operated to insure drainage. Improperly installed or operated wall faucets may freeze and burst in freezing weather.

### INSTALLATION INSTRUCTIONS:

1. Before installation, flush supply line to remove any debris.
2. Drill a 1-1/8" diameter hole through the wall in the desired location and insert the faucet from the outside. **FIGURE 1**
3. Install with nozzle pointing down. **FIGURE 1**
4. From inside the building, the alignment mark on the tube can be used to correctly align the faucet when the mark is pointed down. **FIGURE 1**
5. The tube must have a slight downward pitch for proper drainage. **FIGURE 1**
6. For solder connection, open faucet to full open position before soldering. Excessive heat can damage valve seat rubber or stainless steel seat and factory solder joint.
7. Secure faucet to the wall using appropriate fasteners installed through the holes in the flange. Adjustable flange matches slope of siding. **FIGURE 2**

**NOTE:** The packing nut, located behind the handle, has been factory adjusted. If leakage should occur after installation or use, the packing nut can be tightened to stop the leak. **FIGURE 1**

This ASSE 1019 device is intended for irrigation use and outdoor watering and shall not be subjected to more than (12) hours of continuous water pressure.