

## For Commercial Applications

Job Name \_\_\_\_\_

Item Designation \_\_\_\_\_

Job Location \_\_\_\_\_

Contractor \_\_\_\_\_

Engineer \_\_\_\_\_

Representative \_\_\_\_\_

Inlet: 3/4" Female Pipe Thread *Only*

Finish: CH \_\_\_ BR \_\_\_ PB\_\_\_

### For Non Freezing Areas

# Woodford

## Model 79

### Backflow Protected 360° Close Coupled Inlet Trimline Wall Hydrant

The Model 79 is a Backflow protected wall hydrant intended for irrigation purposes and is designed for use in mild climate areas or within temperature controlled buildings. The Model 79 is only 2-5/8" deep and fits within a 2 x 4 stud wall.

#### Features:

- Red Brass head & valve body
- Hemispherical valve seat
- Hardened stainless steel operating stem
- EPDM Packing
- Adjustable brass packing nut
- Loose Tee Key operation
- 3/4" female pipe thread inlet swivels 360° to any position

#### Specifications:

##### PATENTED HIGH FLOW DOUBLE CHECK BACKFLOW PREVENTER

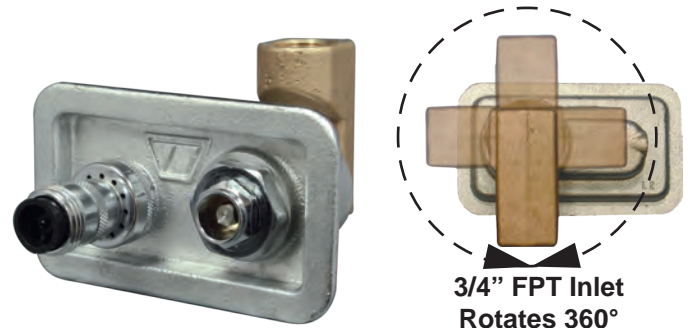
- NIDEL® Model 50HF with 3/4 inch male hose thread
- ASSE Standard 1052 approved
- Field Testable
- Two Independent Check Valves
- Drains automatically when hose is removed
- No spray back

• **Maximum Working Pressure:** 125 p.s.i.

• **Maximum Temperature:** 120° F

#### Specify as follows:

Wall hydrant shall be a Woodford Model 79 for non-freezing areas with ASSE 1052 approved NIDEL® Model 50HF high flow double check backflow preventer. 3/4" hose connection inlet and outlet. 360° inlet orientation. Hardened stainless steel operating stem. Packing nut secured with lock nut. Permanent type valve body with large hemispherical seating surface. Exterior finish to be Chrome Plated (options: Rough Brass or Polished Brass). Intended for irrigation purposes. Loose tee key to be furnished with each hydrant.

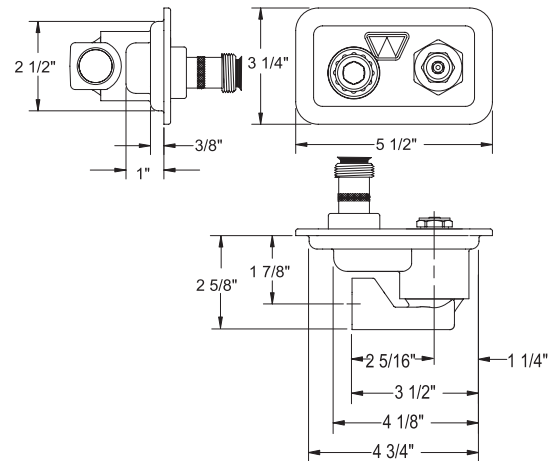


#### Exterior Finish:

Standard - Chrome (CH)

Optional - Rough Brass (BR) or Polished Brass (PB)

#### Rough-In Dimensions



Approval Approval Approval Approval Approval

#### WOODFORD MANUFACTURING COMPANY, LLC.

2121 WAYNOKA ROAD  
COLORADO SPRINGS, CO 80915  
Phone (800) 621-6032  
Website: [www.woodfordmfg.com](http://www.woodfordmfg.com)  
Email: [sales@woodfordmfg.com](mailto:sales@woodfordmfg.com)