

For Commercial Applications

Job Name _____

Item Designation _____

Job Location _____

Contractor _____

Engineer _____

Representative _____

Inlet: P-1/2__ P-3/4__

Finish: CH__ BR__ PB__ AL__

For Non Freezing Areas

Woodford Model B24 Anti-Siphon Protected Wall Faucet

The Model B24 is an Anti-Siphon Vacuum Breaker protected wall faucet designed for use in mild climate areas. A Model 24 faucet is housed in a flush mounted, tamper resistant brass wall box that is designed to blend in with modern architecture for installation on homes, service stations, churches, motels, drive-in restaurants, etc.

Features:

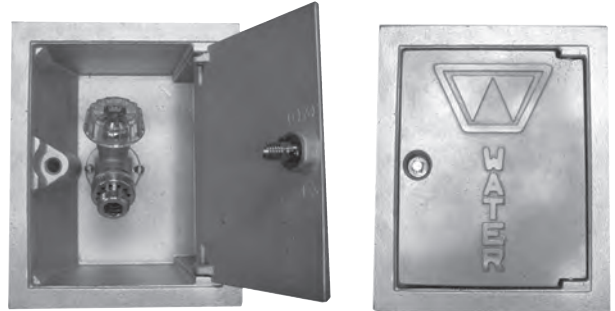
- Red Brass head, box and door
 - Optional: Anodized Aluminum (AL) box and door
- One piece box construction
- EPDM Packing
- Adjustable brass packing nut
- Standard "O" size valve seat washer
- Polycarbonate wheel handle and loose tee key
- 2 inlet options

Specifications:

- **HOSE CONNECTION VACUUM BREAKER:**
 - NIDEL® Model 34HF with 3/4" hose connection
 - ASSE Standard 1011 approved
 - IAPMO® listed
 - Canadian Standards Association listed
 - Single check valve
- **Maximum Working Pressure:** 125 p.s.i.
- **Maximum Temperature:** 120° F

Specify as follows:

Wall faucet shall be a box type Woodford Model B24 for non-freezing areas with anti-siphon vacuum breaker. ASSE Standard 1011 approved. 3/4" hose connection (specify type of inlet). Exterior finish to be Chrome Plated (options: Rough Brass, Polished Brass or Anodized Aluminum). Loose tee key to be furnished with each faucet. Inlet Type _____



Model & Inlet

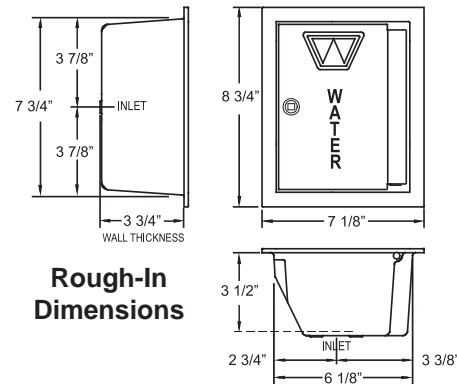
B24P-1/2 1/2" FPT
B24P-3/4 3/4" FPT

Exterior Finish:

Standard - Chrome (CH)
Optional - Rough Brass (BR),
Polished Brass (PB) or
Anodized Aluminum (AL)



Optional Tee Key
Included



**Rough-In
Dimensions**



WOODFORD MANUFACTURING COMPANY, LLC.

2121 WAYNOKA ROAD
COLORADO SPRINGS, CO 80915
Phone (800) 621-6032
Website: www.woodfordmfg.com
Email: sales@woodfordmfg.com