

## For Commercial Applications

Job Name \_\_\_\_\_ Item Designation \_\_\_\_\_

Job Location \_\_\_\_\_ Contractor \_\_\_\_\_

Engineer \_\_\_\_\_ Representative \_\_\_\_\_

Wall Thickness: \_\_\_\_\_ Inlet: P\_\_ C\_\_ (P1\_\_ EP\_\_ **MADE TO ORDER, NO RETURN**) Finish: CH\_\_ BR\_\_ PB\_\_ AL\_\_

# Woodford Model B65 Box Type Anti-Siphon Protected Freezeless Wall Hydrant

The Model B65 is an automatic draining, freezeless wall hydrant with hose connection Anti-Siphon Vacuum Breaker and housed in a tamper resistant brass box. The hydrant drains as handle is shut off, *even if hose is attached*. The Model B65 is designed to blend in with modern architecture for installation on restaurants, schools, office buildings, churches, apartments, motels, stores, shopping centers and industrial buildings.

**Sizes:** 4" - 24" (in 2" increments)  
CC (Close Coupled) for non-freezing climates

### Features:

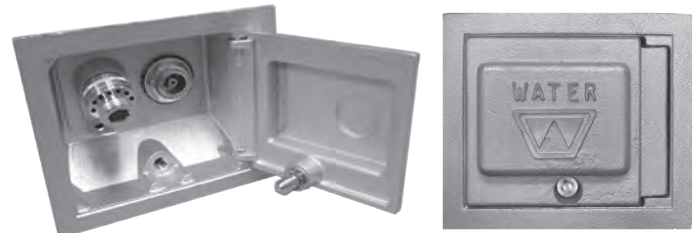
- Red Brass head, box and door
  - Optional: Flat Door (F) brass or chrome only
  - Optional: Anodized Aluminum (AL) box and door
- One piece box construction
- 3/8" solid brass operating rod
- Copper casing tubes
- Hardened stainless steel operating stem
- One piece valve plunger
- 4 inlet options
- Loose tee key operation
- No Lead Solder - All joints
- Supplied with adjustable wall clamp

### Specifications:

- Hydrant plus vacuum breaker is ASSE Standard 1019-B approved.
- **HOSE CONNECTION VACUUM BREAKER:**
  - NIDEL® Model 34HA with 3/4 inch male hose thread
  - ASSE Standard 1011 approved
  - IAPMO® listed
  - Meets Government Specification WW-P-54 1b
  - Single check valve
- **Maximum Working Pressure:** 125 p.s.i.
- **Maximum Temperature:** 120° F

### Specify as follows:

Wall hydrant shall be a box type Woodford Model B65, automatic draining with single check vacuum breaker. ASSE Standard 1019-B approved. 3/4" inlet and outlet (specify type of inlet). Hardened stainless steel operating stem and one-piece valve plunger to control both flow and drain functions. Exterior finish to be Chrome Plated (options: Rough Brass, Polished Brass or Anodized Aluminum). Loose tee key to be furnished with each hydrant. Wall thickness to be \_\_\_\_\_ inches.



### Exterior Finish:

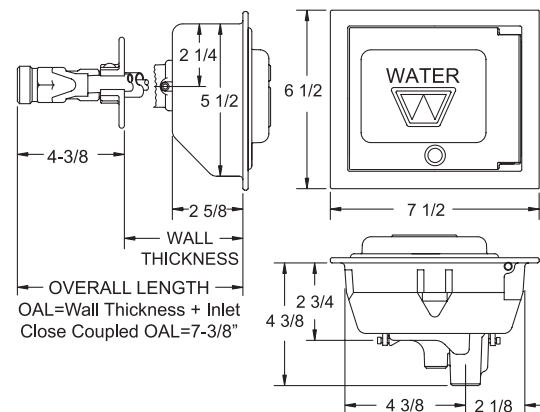
Standard - Chrome (CH)

Optional - Brass (BR) Polished Brass (PB)

Anodized Aluminum (AL)

Fits two standard modular brick course or one course of facing tile.

### Rough-In



### Inlet Options

P - 3/4" Female Pipe Thread

P1 - 1" Male Pipe Thread

C - 3/4" Copper Water Tube

EP - Union Elbow with 3/4" Male Pipe Thread



**WOODFORD MANUFACTURING COMPANY, LLC.**

2121 WAYNOKA ROAD

COLORADO SPRINGS, CO 80915

Phone (800) 621-6032

Website: [www.woodfordmfg.com](http://www.woodfordmfg.com)

Email: [sales@woodfordmfg.com](mailto:sales@woodfordmfg.com)