

For Commercial Applications

Job Name _____

Item Designation _____

Job Location _____

Contractor _____

Engineer _____

Representative _____

Inlet: 3/4" Female Pipe Thread *Only*

Finish: CH ___ BR ___ PB___

For Non Freezing Areas

Woodford

Model B75 Box Type

Anti-Siphon Protected

360° Close Coupled Inlet

Trimline Wall Hydrant

The Model B75 is an Anti-Siphon Vacuum Breaker protected wall hydrant housed in a tamper resistant brass box. Designed for use in mild climate areas or within temperature controlled buildings. The Model B75 fits inside a 4" wall.

Features:

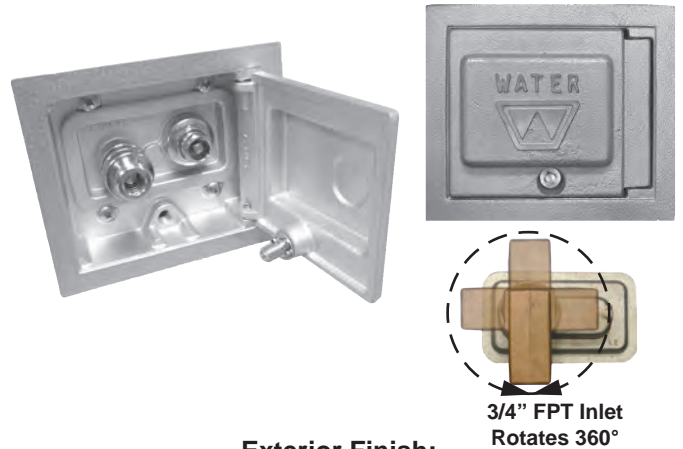
- Red Brass head, valve body, box & door
 - Optional: Flat Door (F)
- One piece box construction
- Hemispherical valve seat
- Hardened stainless steel operating stem
- EPDM Packing
- Adjustable brass packing nut
- Loose Tee Key operation
- 3/4" female pipe thread inlet swivels 360° to any position

Specifications:

- **HOSE CONNECTION VACUUM BREAKER:**
 - NIDEL® Model 34HF with 3/4" hose connection
 - ASSE Standard 1011 approved
 - IAPMO® listed
 - Canadian Standards Association listed
 - Single check valve
- **Maximum Working Pressure:** 125 p.s.i.
- **Maximum Temperature:** 120° F

Specify as follows:

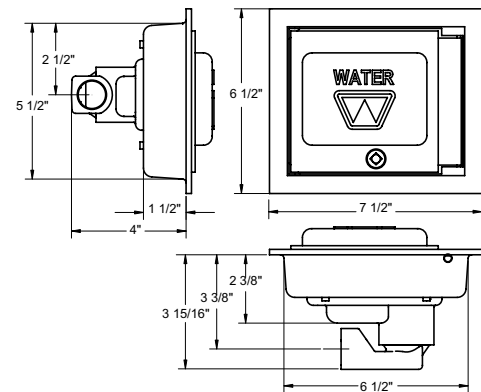
Wall hydrant shall be a box type Woodford Model B75 for non-freezing areas with anti-siphon vacuum breaker. ASSE Standard 1011 approved. 3/4" hose connection inlet and outlet. 360° inlet orientation. Hardened stainless steel operating stem. Packing nut secured with lock nut. Permanent type valve body with large hemispherical seating surface. Exterior finish to be Chrome Plated (options: Rough Brass or Polished Brass). Loose tee key to be furnished with each hydrant.



Exterior Finish:

Standard - Chrome (CH)
Optional - Rough Brass (BR) or Polished Brass (PB)

Rough-In Dimensions



WOODFORD MANUFACTURING COMPANY, LLC.

2121 WAYNOKA ROAD
COLORADO SPRINGS, CO 80915
Phone (800) 621-6032
Website: www.woodfordmfg.com
Email: sales@woodfordmfg.com