

## For Commercial Applications

Job Name \_\_\_\_\_  
 Job Location \_\_\_\_\_  
 Engineer \_\_\_\_\_  
 Wall Thickness: \_\_\_\_\_

Item Designation \_\_\_\_\_  
 Contractor \_\_\_\_\_  
 Representative \_\_\_\_\_  
 Finish: CH \_\_\_ BR \_\_\_

# Woodford Model HC67 Backflow Protected Hot & Cold Mixer Automatic Draining Freezeless Wall Hydrant



**Exterior Finish:**  
 Standard - Chrome (CH)  
 Optional - Brass (BR)

The Model HC67 is an automatic draining, freezeless Hot & Cold wall hydrant with hose connection Backflow Protection. The hydrant drains as handle is shut off, *even if hose is attached*. The Model HC67 is intended for irrigation purposes and is designed for commercial use where outside hot and cold water service is required.

**Sizes:** 4" - 24" (in 2" increments)  
 CC (Close Coupled) for non-freezing climates

**Features:**

- Red Brass head, valve body & mixer control
- 3/4" female pipe thread inlets
- Inlet check valves prevent hot & cold migration
- Drain port under nozzle diverts water away from building
- 3/8" solid brass operating rod
- Copper casing tubes
- Hardened stainless steel operating stem
- One piece valve plunger
- Loose tee key operation
- No Lead Solder - All joints
- Adjustable wall clamp

**Specifications:**

**PATENTED HIGH FLOW DOUBLE CHECK BACKFLOW PREVENTER**

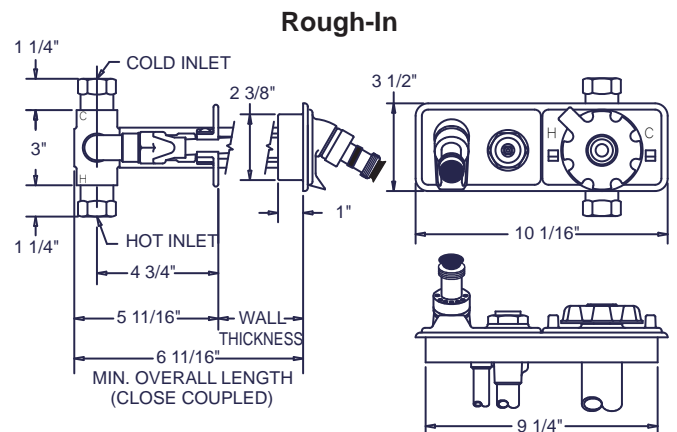
- NIDEL® Model 50HA with 3/4 inch male hose thread
- ASSE Standard 1052 approved
- Field Testable
- Two Independent Check Valves
- Drains automatically when hose is removed
- No spray back

- **Maximum Working Pressure:** 125 p.s.i.
- **Maximum Temperature:** 120° F

**Specify as follows:**

Wall hydrant shall be a Woodford Model HC67, Hot and Cold, automatic draining with ASSE 1052 approved NIDEL® Model 50HA high flow double check backflow preventer. 3/4" inlets and outlet. Hardened stainless steel operating stem and one-piece valve plunger to control both flow and drain functions. Exterior finish to be Chrome Plated (optional: Rough Brass). Loose tee key to be furnished with each hydrant. Intended for irrigation purposes. Wall thickness to be \_\_\_\_\_ inches.

©2012 WOODFORD Mfg.



**WOODFORD MANUFACTURING COMPANY, LLC.**

2121 WAYNOKA ROAD  
 COLORADO SPRINGS, CO 80915  
 Phone (800) 621-6032  
 Website: [www.woodfordmfg.com](http://www.woodfordmfg.com)  
 Email: [sales@woodfordmfg.com](mailto:sales@woodfordmfg.com)