

For Commercial Applications

Job Name _____ Item Designation _____

Job Location _____ Contractor _____

Engineer _____ Representative _____

Wall Thickness: _____ Inlet: P__ C__ (P1__ EP__ **MADE TO ORDER, NO RETURN**)

Finish: (CH Only)

Woodford

Model RB67 Round Box Type

Backflow Protected Automatic Draining Freezeless Wall Hydrant

The Model RB67 is an automatic draining, freezeless wall hydrant with hose connection Backflow Protection. The hydrant drains as handle is shut off, *even if hose is attached*. Designed especially for tip-up wall construction, the hydrant is housed in a round, tamper resistant silicon bronze box that can be installed through a 6" diameter core drilled hole. The Model RB67 is intended for irrigation purposes and designed to blend in with modern architecture for installation on restaurants, schools, office buildings, churches, apartments, motels, stores, shopping centers and industrial buildings.

Sizes: 4" - 24" (in 2" increments)
CC (Close Coupled) for non-freezing climates

Features:

- Red Brass head & valve body
- Silicon bronze box & door castings
- Round box installs through a 6" diameter hole
- One piece box construction
- Water is diverted away from operator
- 3/8" solid brass operating rod
- Copper casing tubes
- Hardened stainless steel operating stem
- One piece valve plunger
- 4 inlet options
- Loose tee key operation
- No Lead Solder - All joints
- Supplied with adjustable wall clamp

Specifications:

PATENTED HIGH FLOW DOUBLE CHECK BACKFLOW PREVENTER

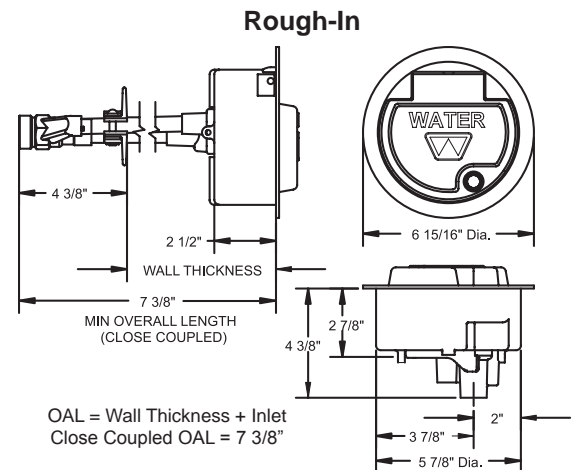
- NIDEL® Model 50HA with 3/4 inch male hose thread
- ASSE Standard 1052 approved
- Field Testable
- Two Independent Check Valves
- Drains automatically when hose is removed
- No spray back
- **Maximum Working Pressure:** 125 p.s.i.
- **Maximum Temperature:** 120° F

Specify as follows:

Wall hydrant shall be a round box type Woodford Model RB67, automatic draining with ASSE 1052 approved NIDEL® Model 50HA high flow double check backflow preventer. 3/4" inlet and outlet (specify type of inlet). Hardened stainless steel operating stem and one-piece valve plunger to control both flow and drain functions. Exterior finish to be Chrome Plated. Loose tee key to be furnished with each hydrant. Intended for irrigation purposes. Wall thickness to be _____ inches.



Exterior Finish:
Box & Door - Chrome (CH) Only



Inlet Options

- P - 3/4" Female Pipe Thread
- P1 - 1" Male Pipe Thread
- C - 3/4" Copper Water Tube
- EP - Union Elbow with 3/4" Male Pipe Thread



WOODFORD MANUFACTURING COMPANY, LLC.

2121 WAYNOKA ROAD
COLORADO SPRINGS, CO 80915
Phone (800) 621-6032
Website: www.woodfordmfg.com
Email: sales@woodfordmfg.com