

## For Commercial Applications

Job Name \_\_\_\_\_

Item Designation \_\_\_\_\_

Job Location \_\_\_\_\_

Contractor \_\_\_\_\_

Engineer \_\_\_\_\_

Representative \_\_\_\_\_

Inlet: 3/4" Female Pipe Thread *Only*

Finish: CH \_\_\_\_

### For Non Freezing Areas

# Woodford

## Model RB79<sup>Round</sup><sub>Box Type</sub>

### Backflow Protected 360° Close Coupled Inlet Trimline Wall Hydrant

The Model RB79 is a backflow protected wall hydrant housed in a round, tamper resistant silicon bronze box. Designed especially for tip-up wall construction, the round box assembly can be installed through a 6" diameter core drilled hole. Hydrant is intended for irrigation purposes and is designed for use in mild climate areas or within temperature controlled buildings.

#### Features:

- Red Brass head & valve body
- Silicon bronze box & door
- One piece box construction
- Hemispherical valve seat
- Hardened stainless steel operating stem
- EPDM Packing
- Adjustable brass packing nut
- Loose Tee Key operation
- 3/4" female pipe thread inlet swivels 360° to any position

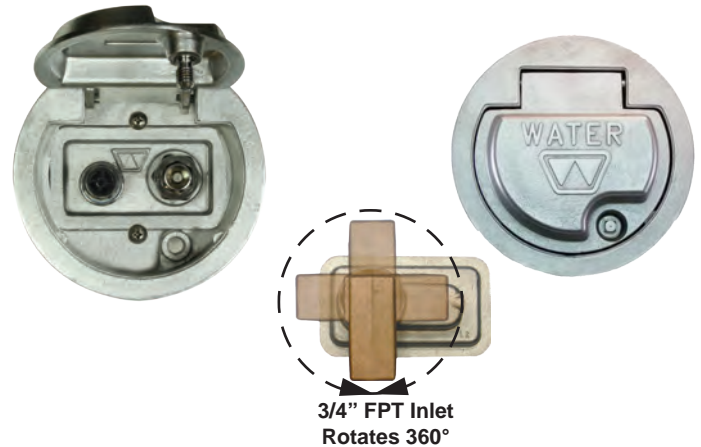
#### Specifications:

#### PATENTED HIGH FLOW DOUBLE CHECK BACKFLOW PREVENTER

- NIDEL® Model 50HF with 3/4 inch male hose thread
- ASSE Standard 1052 approved
- Field Testable
- Two Independent Check Valves
- Drains automatically when hose is removed
- No spray back
- **Maximum Working Pressure:** 125 p.s.i.
- **Maximum Temperature:** 120° F

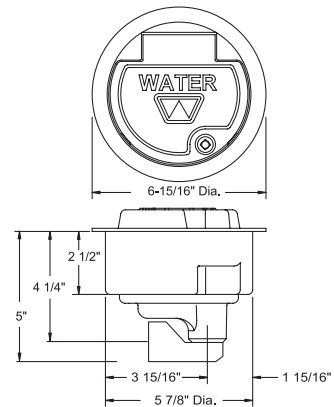
#### Specify as follows:

Wall hydrant shall be a round box type Woodford Model RB79 for non-freezing areas with ASSE 1052 approved NIDEL® Model 50HF high flow double check backflow preventer. 3/4" hose connection inlet and outlet. 360° inlet orientation. Hardened stainless steel operating stem. Packing nut secured with lock nut. Permanent type valve body with large hemispherical seating surface. Intended for irrigation purposes. Exterior finish to be Chrome Plated. Loose tee key to be furnished with each hydrant.



**3/4" FPT Inlet  
Rotates 360°**  
**Exterior Finish:  
Box & Door - Chrome (CH) Only**

#### Rough-In Dimensions



**WOODFORD MANUFACTURING COMPANY, LLC.**  
2121 WAYNOKA ROAD  
COLORADO SPRINGS, CO 80915  
Phone (800) 621-6032 Fax (800) 765-4115 Website:  
[www.woodfordmfg.com](http://www.woodfordmfg.com)  
Email: [sales@woodfordmfg.com](mailto:sales@woodfordmfg.com)