

For Commercial Applications

Job Name _____

Item Designation _____

Job Location _____

Contractor _____

Engineer _____

Representative _____

Inlet: P-1/2 Standard

Finish: CH __ BR __

For Non Freezing Areas

Woodford Model V26 Backflow Protected Wall Faucet

The Model V26 is an anti-siphon, vacuum breaker protected wall faucet designed for irrigation purposes in mild climate areas. The Model V26 is designed to be mounted directly to a wall or column with a top mount inlet. Designed to blend with modern architecture for installation on or in service stations, custodial services, churches, motels, restaurants, etc.

SPECIFICATIONS:

VACUUM BREAKER - ANTI-SIPHON:

- NIDEL® Model 50HF with 3/4 inch male hose thread
- ASSE Standard 1052 approved
- IAPMO® listed

EPDM PACKING: Prevents leaking.

PACKING NUT: Adjustable brass nut with deep stem guard.

VALVE SEAT: Standard "O" size washer.

HANDLES: Furnished with tan plastic wheel handle and loose tee key.

INLET: 1/2 FPT.

MAX PRESSURE: 125 p.s.i.

MAX TEMPERATURE: 120° F

Specify as follows:

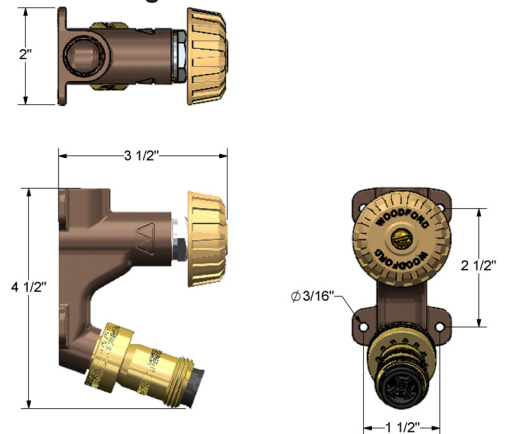
Wall faucet shall be a Woodford Model V26 for non-freezing areas with ASSE 1052 approved NIDEL® Model 50HF high flow double check backflow preventer. 3/4" hose connection. Exterior finish to be Chrome Plated or Rough Brass. Loose tee key to be furnished with each faucet. Intended for irrigation purposes.



Exterior Finish:

Chrome (CH)
Rough Brass (BR)

Rough-In Dimensions



Approval Approval Approval Approval Approval

WOODFORD MANUFACTURING COMPANY, LLC.

2121 WAYNOKA ROAD
COLORADO SPRINGS, CO 80915
Phone (800) 621-6032 Fax (800) 765-4115
Website: www.woodfordmfg.com
Email: sales@woodfordmfg.com