

Model 40SC and 40TH have been Discontinued



FOR NON-FREEZING AREAS ONLY

This unit offers anti-siphon protection.

The Model 40 is an anti-siphon vacuum breaker protected wall faucet intended for irrigation purposes and designed for use in non-freezing areas.

Available in two models:

• Model 40SC - Self Closing

Faucet shuts off when the handle is released.

- Polished Chrome Only
- Wheel Handle - Standard
- Optional: Lever Handle (-LH)
ADA Compliant
- Adjustable wall flange w/set screw
- Inlets: 1/2" MPT x 1/2" Sweat (-1/2) or 3/4" MPT (-3/4)
- Optional: Bald Nose (-BN)
(Non-threaded nozzle)

• Model 40HT - Half Turn

Manual operated faucet requires only one half turn for full open and close.

- Polished Chrome - Standard
- Optional: Rough Brass (-RB) 40HT Only
- Furnished with polycarbonate Wheel Handle and Loose Tee Key
- Optional: Lever Handle (-LH) Pol. Chrome Only
ADA Compliant
- Adjustable wall flange w/set screw
- Inlets: 1/2" MPT x 1/2" Sweat (-1/2) or 3/4" MPT (-3/4)
- Teflon® impregnated packing
- Adjustable brass packing nut with deep stem guard
- Standard "O" size washer
- Optional: Bald Nose (-BN)
(Non-threaded nozzle)

ANTI-SIPHON VACUUM BREAKER - Standard Nidel® Model 34HF with 3/4 inch male hose thread.

- ASSE Standard 1011
- CSA certified
- UPC®/IAPMO Listed

Max Pressure - 125 p.s.i.

Max Temperature - 120°

Shipping Weight per unit -

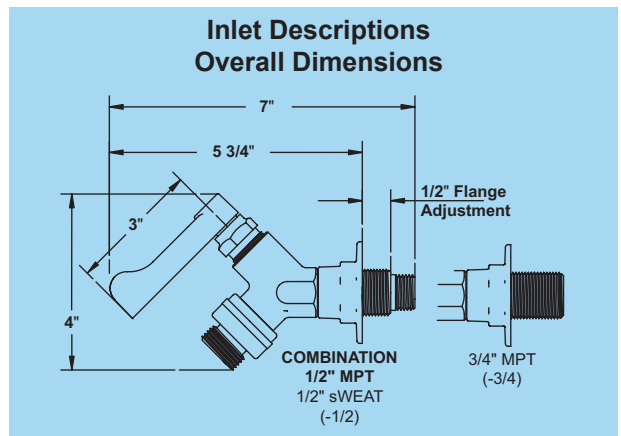
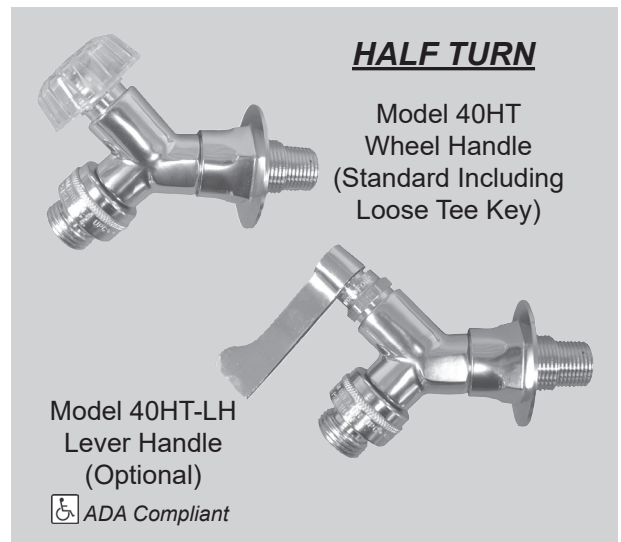
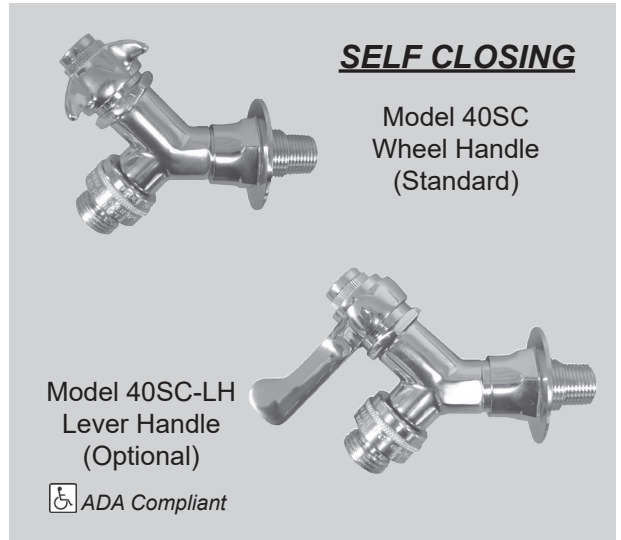
Model 40SC - 1 lb. 12 oz.

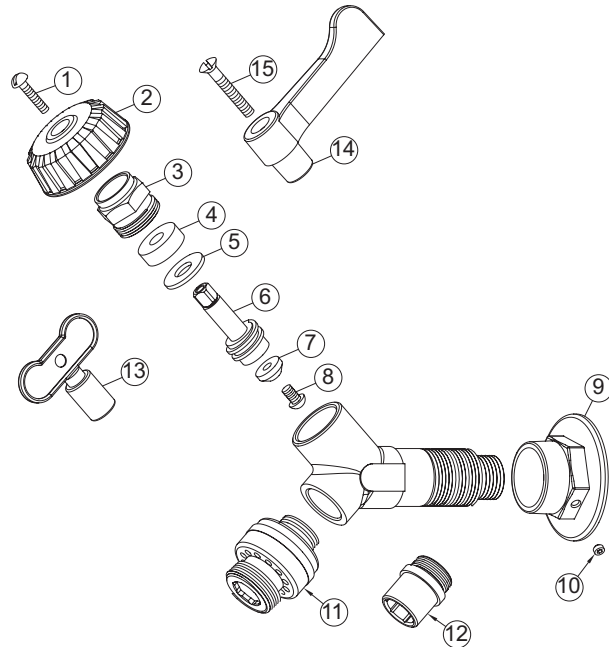
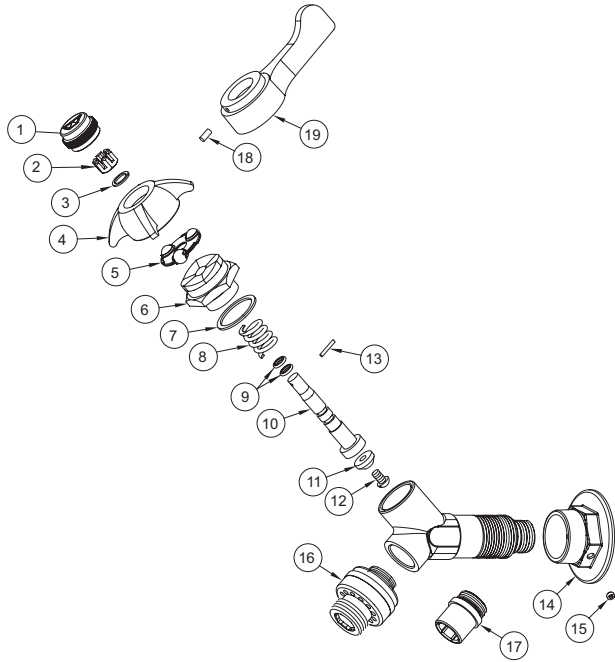
Model 40HT - 1 lb. 6 oz.

For Maximum protection, vacuum breaker replacement every three to five years is strongly recommended.

Anti-Siphon Wall Faucet

Model 40SC/40HT





MODEL 40SC PARTS LIST

ITEM	PART#	DESCRIPTION
1	30531	Handle Cap
2	30525	Castle Nut
3	30527	Washer
4	30528	Wheel Handle
5	30524	Bearing Assembly
6	30522	Head Nut
7	30523	Head Nut Gasket
8	30521	Spring
9	30520	O-Ring (2)
10	36100	Operating Stem
11	30008	Valve Seat Rubber
12	30009	Seat Rubber Screw
13	30526	Retaining Pin
14	30472	Adjustable Flange
15	30543	Adjustable Flange Set Screw
16	34HF-CH	Vacuum Breaker
17	51091	Bald Nose Nozzle (Optional)
18	30530	Lever handle Set Screw
19	30529	Lever Handle

RK-40SC Repair Kit (Includes Items 7,9,11,12, 13)

MODEL 40HT PARTS LIST

ITEM	PART#	DESCRIPTION
1	30121	Handle Screw - Chrome
	30002	Handle Screw - Brass
2	30120	Wheel Handle - Clear
	30233	Wheel Handle - Tan
3	30109	Packing Nut - Chrome
	30107	Packing Nut - Brass
4	30247	EPDM Packing
5	30105	Packing Washer
6	30473	Operating Stem
7	30008	Valve Seat Rubber
8	30009	Seat Rubber Screw
9	30472	Adjustable Flange - Chrome
	30471	Adjustable Flange - Brass
10	30543	Adjustable Flange Set Screw
11	35HF-CH	Vacuum Breaker - Chrome
	34HF-BR	Vacuum Breaker - Brass
12	51091	Bald Nose Nozzle (Optional)
13	50009	Tee Key
14	30513	Lever Handle - Chrome
15	30515	Handle Screw - Chrome

RK-40HT Repair Kit (Includes Items 4,5,7,9)

For more information contact...

WOODFORD MANUFACTURING COMPANY

2121 Waynoka Road, Colorado Springs, Colorado 80915 • **Phone:** (800) 621-6032 • **Fax:** (800) 765-4115
 To view our complete product line visit: www.woodfordmfg.com or email: sales@woodfordmfg.com
 A Division Of WCM Industries, Inc.