


The Model 67, B67 & RB67 are automatic draining, freezeless wall hydrants with hose connection Backflow Protection. Hydrants drain as handle is shut off, *even if hose is attached*. All models are intended for irrigation purposes and blend in with modern architecture for installation on restaurants, schools, office buildings, churches, apartments, motels, stores, shopping centers and industrial buildings.

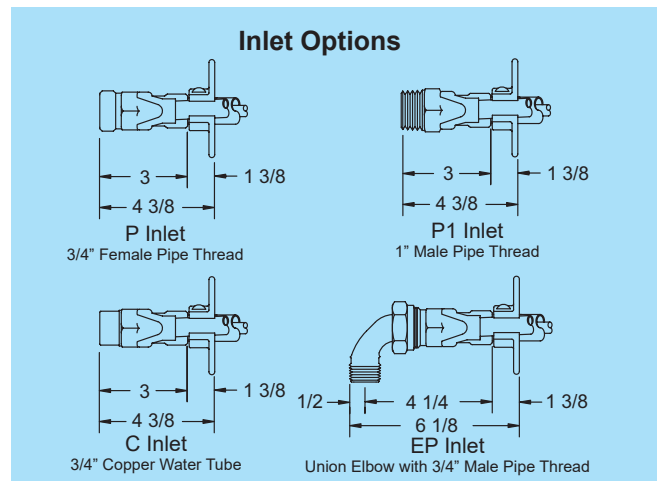
**SPECIFICATIONS:**

**PATENTED HIGH FLOW DOUBLE CHECK BACKFLOW PREVENTER**

- NIDEL® Model 50HA with 3/4 inch male hose thread
- ASSE Standard 1052 approved 
- Field Testable
- Two Independent Check Valves
- No spray back

**FEATURES:**

- Permanent type brass valve body with hemispherical seating surface.
- One piece valve plunger accurately controls both flow and drainage with a minimum number of turns and without need for adjustments.
- Drains under nozzle away from hands of operator and with a lip to divert water away from building.
- Copper casing tubes.
- No Lead Solder on all solder joints.
- Hardened stainless steel stem resists damage.
- Loose key operates hydrant.
- 3/8" solid brass operating rod.
- Four inlet options (See below)
- Wall clamp furnished on all 60 series except close coupled.
- Max Pressure: 125 p.s.i.
- Max Temperature: 120° F
- For Patent information: <https://Woodformfg.com/Patents/>



**Specify as follows:**

Wall hydrant shall be Woodford Model 67 (exposed type), B67 or RB67 (concealed box type), automatic draining with ASSE 1052 approved NIDEL® Model 50HA double check backflow preventer. 3/4" inlet and outlet (specify type of inlet). Hardened stainless steel operating stem and one-piece valve plunger to control both flow and drain functions. Exterior finish to be Chrome Plated (options: Polished Brass or Rough Brass). Loose tee key to be furnished with each hydrant. Wall thickness to be \_\_\_\_\_ inches.

# Freezeless Wall Hydrants



**With Patented Model 50 High Flow Double Check Backflow Preventer**

## Model 67/B67/RB67



**MODEL 67**

Exterior Finish:  
Standard - Chrome (CH)  
Optional - Brass (BR) Polished Brass (PB)  
Fits one standard modular brick course.



**MODEL B67**

Exterior Finish: Box & Door  
Standard - Chrome (CH)  
Optional - Brass (BR) Polished Brass (PB)  
Anodized Aluminum Box (AL)  
Fits two std. modular brick course or one course of facing tile.

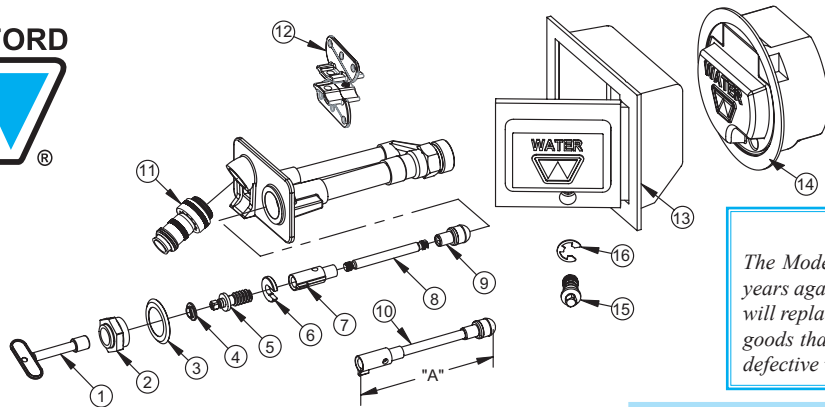


**MODEL RB67**

Exterior Finish: Box & Door - Chrome (CH) Only  
Designed especially for tilt-up wall construction.  
Install through 6" diameter hole.  
Two 3/8"-16 tapped holes for all-thread anchors in back of box.  
Lift and latch door stays open when hydrant is in use.

**SEE WOODFORMFG.COM FOR INSTRUCTIONS AND DETAILS OF APPLICABLE PATENTS AND PATENTS PENDING OR CALL 1-800-621-6032**

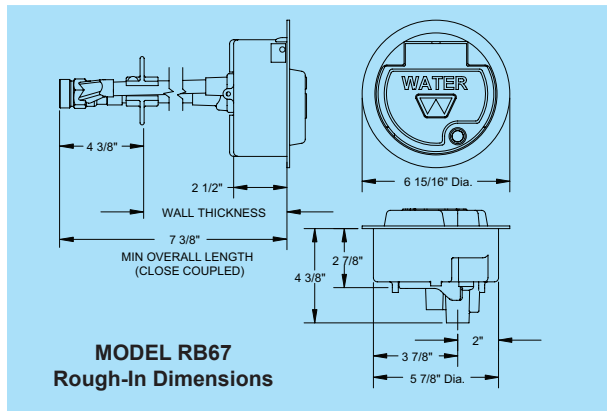
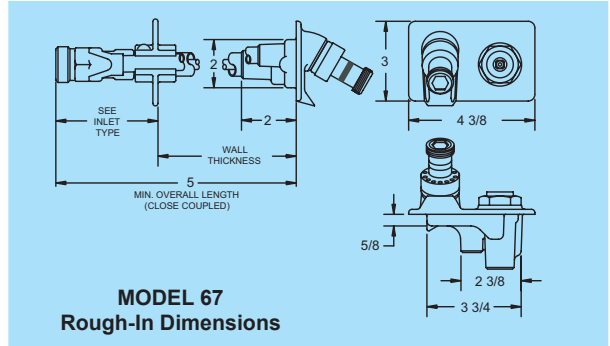
**When ordering, specify model, inlet and wall thickness**



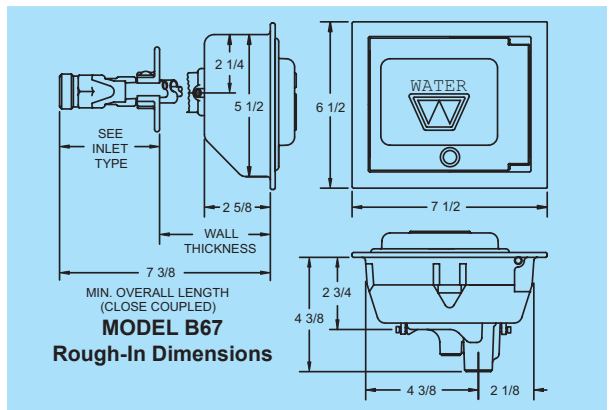
**LIMITED WARRANTY**  
 The Model 67 is sold with a limited warranty for five years against defects in material and workmanship. We will replace or issue credit (at our option) for defective goods that are returned for inspection and found to be defective within five years of purchase from Woodford.

**MODEL 67/B67/RB67 PARTS LIST**

ITEM	PART #	DESCRIPTION
1	50009	Tee Key
	50010	Long Tee Key (Box Models)
2	50264	Head Nut – chrome
	50265	Head Nut – brass
3	50584	I.D. RING
4	50252	Stem Washer
5	55062	Stem Screw
6	50251	“C” washer
7	51014	Yoke Nut
8	Operating Rod (Sold As Item 10 Only)	
9	50250	Plunger
10	554XX	Operating Rod Assembly (Includes Items 7,8,9) (Select required assembled length from table below)
11	50HA-CH	NIDEL® 50HA Backflow Preventer – chrome
	50HA-BR	NIDEL® 50HA Backflow Preventer – brass
12	55063	Wall Clamp Assembly
13	67BX	Box/Door Assembly – Chrome
	67BX-BR	Box/Door Assembly - Brass
	67BX-PB	Box/Door Assembly – Polished Brass
	67BX-AL	Box/Door Assembly – Aluminum
14	RB67BX	Round Box/Door Assembly - Chrome
	RK-65	Chrome Repair Kit (Includes Items 1, 2, 4-7 & 9)
15	51117	Door Lock Screw - Chrome
	51116	Door Lock Screw - Brass
16	51120	E-Ring



Item 10 - Operating Rod Assy. "A"			
Wall Thickness		Length	Part No.
67	B67/RB67		
CC	CC	3 1/2"	55401
N/A	4	4 1/2"	55402
4	6	6 1/2"	55404
6	8	8 1/2"	55406
8	10	10 1/2"	55408
10	12	12 1/2"	55410
12	14	14 1/2"	55412
14	16	16 1/2"	55414
16	18	18 1/2"	55416
18	20	20 1/2"	55418
20	22	22 1/2"	55420
22	24	24 1/2"	55422
24	N/A	26 1/2"	55424



Wall Thickness (Inch)	CC	4	6	8	10	12	14	16	18	20	22	24
Overall Length - Hydrant	5	8	10	12	14	16	18	20	22	24	26	28
Overall Length - Box Models	7 3/8	8 3/8	10 3/8	12 3/8	14 3/8	16 3/8	18 3/8	20 3/8	22 3/8	24 3/8	26 3/8	28 3/8
Shipping Wt. (Lbs)**	3.8	4.4	4.8	5.2	5.6	6	6.4	6.8	7.2	7.6	8	8.4

\*\* Add 8.3 Lbs. for brass box models. NOTE: Close Coupled Models are not recommended for use in freezing climates and cannot use wall clamp.  
 \*\* Add 2.5 Lbs. for aluminum box models.

**WOODFORD MANUFACTURING COMPANY**

2121 Waynoka Road, Colorado Springs, Colorado 80915 • Phone: (800) 621-6032 • Fax: (800) 765-4115  
 To view our complete product line visit: [www.woodfordmfg.com](http://www.woodfordmfg.com) or email: [sales@woodfordmfg.com](mailto:sales@woodfordmfg.com)  
 ©2022 WOODFORD Mfg. A Division Of WCM Industries, Inc. Rev. 3/22 FormNo. 67.112