



The Model 68 is an automatic draining, freezeless wall hydrant with hose connection Backflow Protection and a unique, integral, locking head cover. The **UNDERCOVER WALL HYDRANT®** is intended for irrigation purposes and is designed to blend in with modern architecture for installation on restaurants, schools, office buildings, churches, apartments, motels, stores, shopping centers and industrial buildings.

Freezeless



UNDERCOVER WALL HYDRANT® Model 68

Hydrant Specifications:

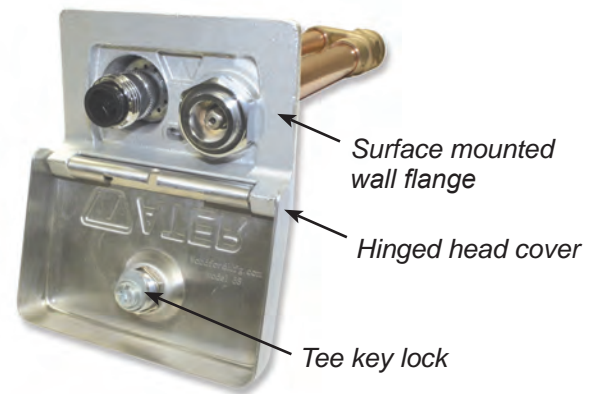
- ▶ ASSE 1053 listed hydrant 
- ▶ Includes ASSE 1052 Double Check Backflow Preventer 
 - For both backflow and backsiphonage protection
 - Field testable
 - No spray back

Finishes/Materials:

- ▶ Standard: Chrome plated brass head with stainless steel cover
- ▶ Option: Brass head with stainless steel cover

Features:

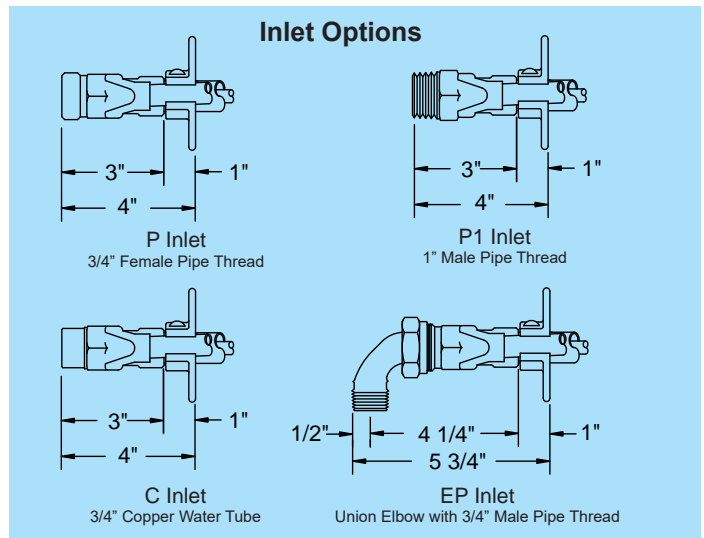
- ▶ Hydrant:
 - Automatically drains - even with hose attached
 - Uses solid 3/8" brass operating rod
 - Contains Hardened 3/8" stainless steel operating stem
 - One piece plunger – controls flow and drain function
 - Dual copper casing tubes w/built-in slope
 - Works with pressures up to 125 p.s.i.
 - Maximum Temperature: 120° F
- ▶ Brass head with integral, locking stainless steel cover to protect against unauthorized use
- ▶ Head cover flips down and out of the way for unobstructed hydrant operation
- ▶ Head cover is replaceable without removing hydrant
- ▶ Tee Key operation for hydrant and door lock
- ▶ Easier to install than standard recessed box hydrant
- ▶ Wall Clamp included
 - *For Irrigation and Outdoor Watering*
 - *Not Intended For Continuous Use*



The Model 68 is sold with a limited warranty for five years against defects in material and workmanship. We will replace or issue credit (at our option) for defective goods that are returned for inspection and found to be defective within five years of purchase from Woodford.

Specify: UNDERCOVER WALL HYDRANT®

Wall Hydrant shall be ASSE 1053 listed Woodford Model 68, automatic draining, even if the hose is left on. ASSE Standard 1052 approved field testable double check backflow preventer. Hardened stainless steel operating stem, 3/8" solid brass operating rod with one piece plunger to control both the flow and drain function and requires no special tools for removal. Flat face plate shall be one piece solid brass for a permanent wall seal. Loose key and wall clamp to be furnished with each hydrant.

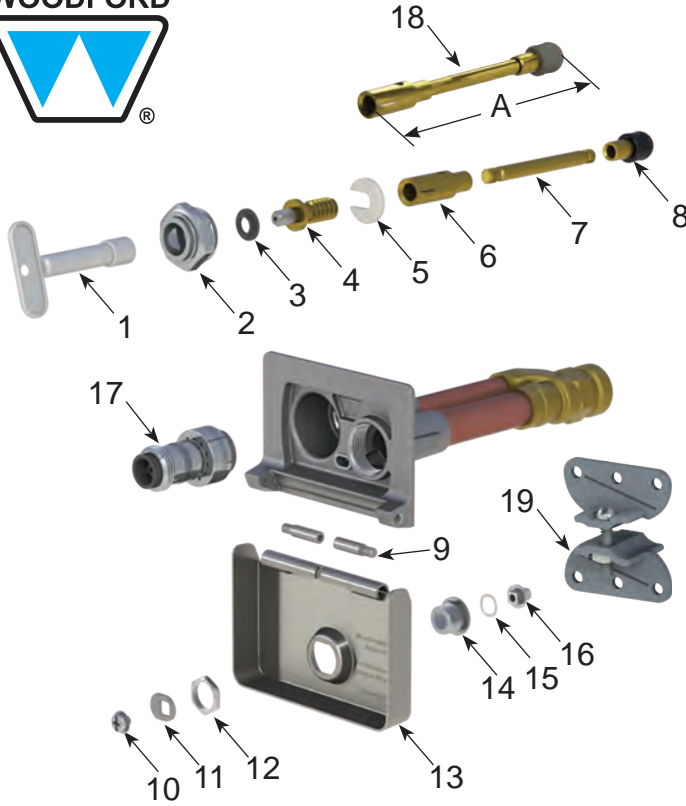


SEE WOODFORDMFG.COM FOR INSTRUCTIONS AND DETAILS OF APPLICABLE PATENTS AND PATENTS PENDING OR CALL 1-800-621-6032

When ordering, specify model, inlet and wall thickness

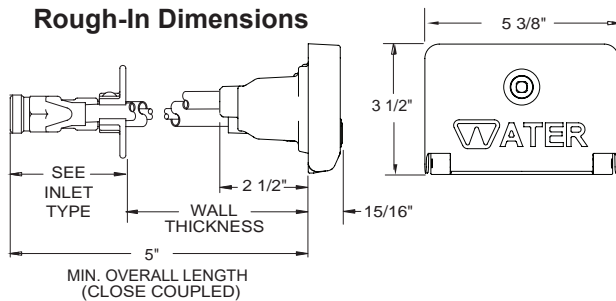


MODEL 68 PARTS LIST

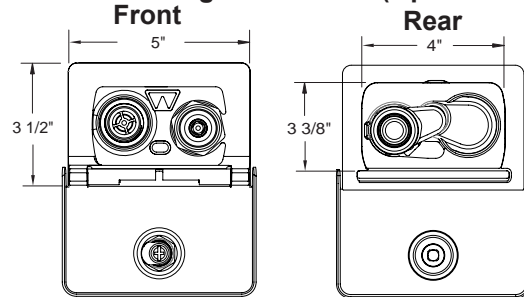


ITEM	PART #	DESCRIPTION
1	50010	Long Tee Key
2	50264	Head Nut – CH chrome
	50265	Head Nut – BR brass
3	50252	Stem Washer
4	55062	Stem Screw
5	50251	“C” washer
6	51014	Yoke Nut
7	Operating Rod (Sold As Item 18 Only)	
8	50250	Plunger
9	50041	Headless Shoulder Bolt (2)
10	30150	Cam Lock Cam Screw
11	30143	Cam Lock
12	30155	Cam Lock Hex Nut
13	50280	Stainless Steel Head Cover
14	30140	Tee Key Lock Well
15	30156	Tee Key Lock Disc Spring
16	30139	Tee Key Lock
17	50HA-CH	50HA Backflow Preventer–chrome
	50HA-BR	50HA Backflow Preventer–brass
18	554XX	Operating Rod Assembly (Includes Items 6,7,8) (Select required assembled length from table below)
19	55063	Wall Clamp Assembly
	RK-65	Chrome Repair Kit (Includes Items 1-6 & 8)
	RK-68DR	Door Repair Kit (Includes Items 9-16)

Operating Rod Assy. “A”		
Wall Thickness	Length	Part No.
CC	3 ½”	55401
4	6 ½”	55404
6	8 ½”	55406
8	10 ½”	55408
10	12 ½”	55410
12	14 ½”	55412
14	16 ½”	55414
16	18 ½”	55416
18	20 ½”	55418
20	22 ½”	55420
22	24 ½”	55422
24	26 ½”	55424



Head Casting Dimensions (Open Cover)



Wall Thickness (Inch)	CC	4	6	8	10	12	14	16	18	20	22	24
Overall Length - Hydrant	5	8	10	12	14	16	18	20	22	24	26	28
Shipping Wt. (Lbs)	2.5	4.1	4.5	4.9	5.3	5.7	6.1	6.5	6.9	7.3	7.7	8.1

NOTE: Close Coupled Models are not recommended for use in freezing climates and cannot use wall clamp.

For more information contact...

WOODFORD MANUFACTURING COMPANY

2121 Waynoka Road, Colorado Springs, Colorado 80915 • Phone: (800) 621-6032 • Fax: (800) 765-4115

To view our complete product line visit: www.woodfordmfg.com or email: sales@woodfordmfg.com

A Division Of WCM Industries, Inc.