

Model S3-1

Order Verification Form

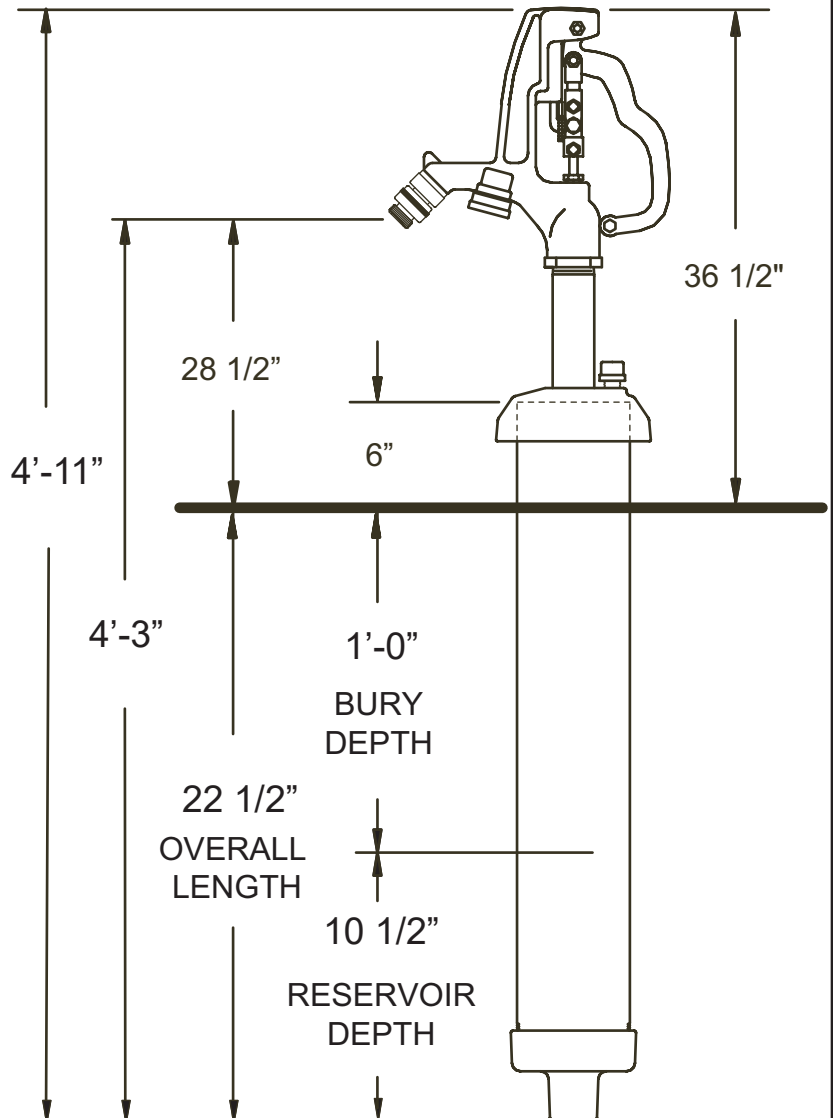
CUSTOMER.

VERIFICATION MUST BE RECEIVED BEFORE
ORDER CAN BE ENTERED FOR SHIPMENT.

PLEASE SIGN TO VERIFY
S3-1 FT. BURY
MEETS YOUR REQUIREMENTS.

Customer Signature

Please print name and return to Woodford
email: sales@woodfordmfg.com



WOODFORD MANUFACTURING COMPANY, LLC.

2121 Waynoka Road, Colorado Springs, Colorado 80915 • Phone: (800) 621-6032 To view our complete product line visit: www.woodfordmfg.com or email: sales@woodfordmfg.com

Model S3-2

Order Verification Form

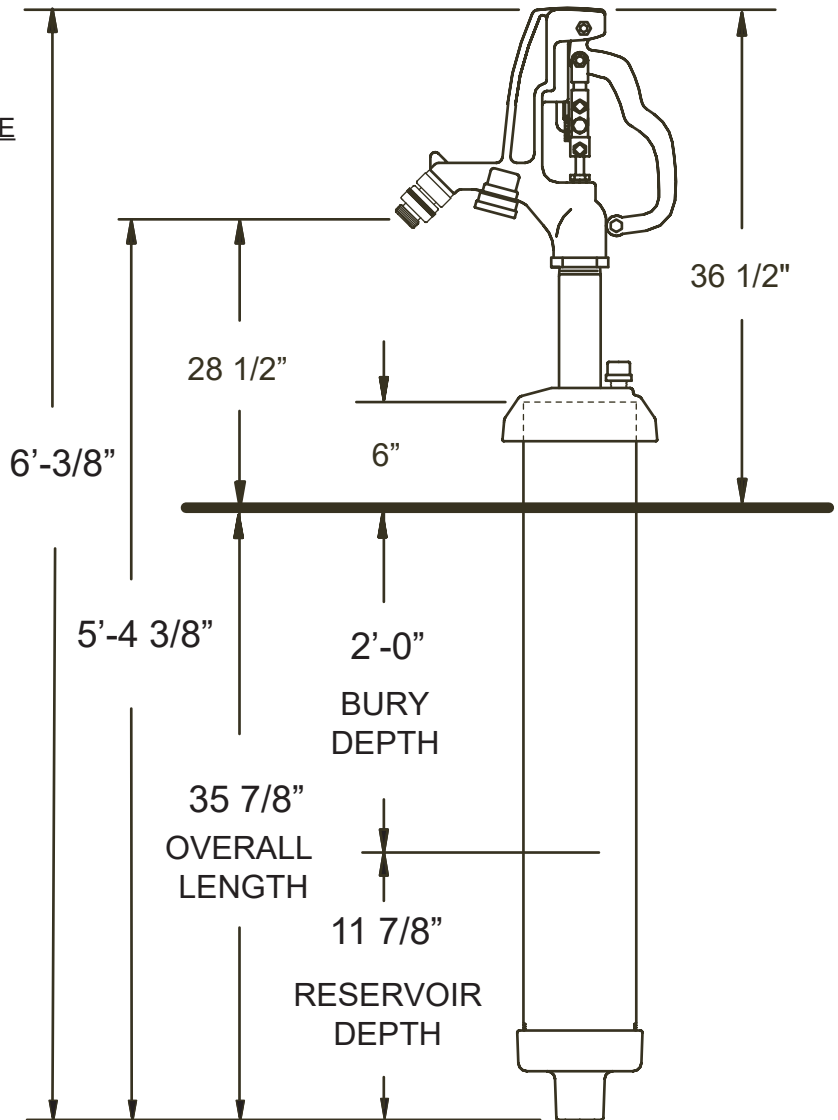
CUSTOMER.

VERIFICATION MUST BE RECEIVED BEFORE
ORDER CAN BE ENTERED FOR SHIPMENT.

PLEASE SIGN TO VERIFY
S3-2 FT. BURY
MEETS YOUR REQUIREMENTS.

Customer Signature

Please print name and return to Woodford
email: sales@woodfordmfg.com



WOODFORD MANUFACTURING COMPANY, LLC.

2121 Waynoka Road, Colorado Springs, Colorado 80915 • Phone: (800) 621-6032 To view our complete product line visit: www.woodfordmfg.com or email: sales@woodfordmfg.com

Model S3-3

Order Verification Form

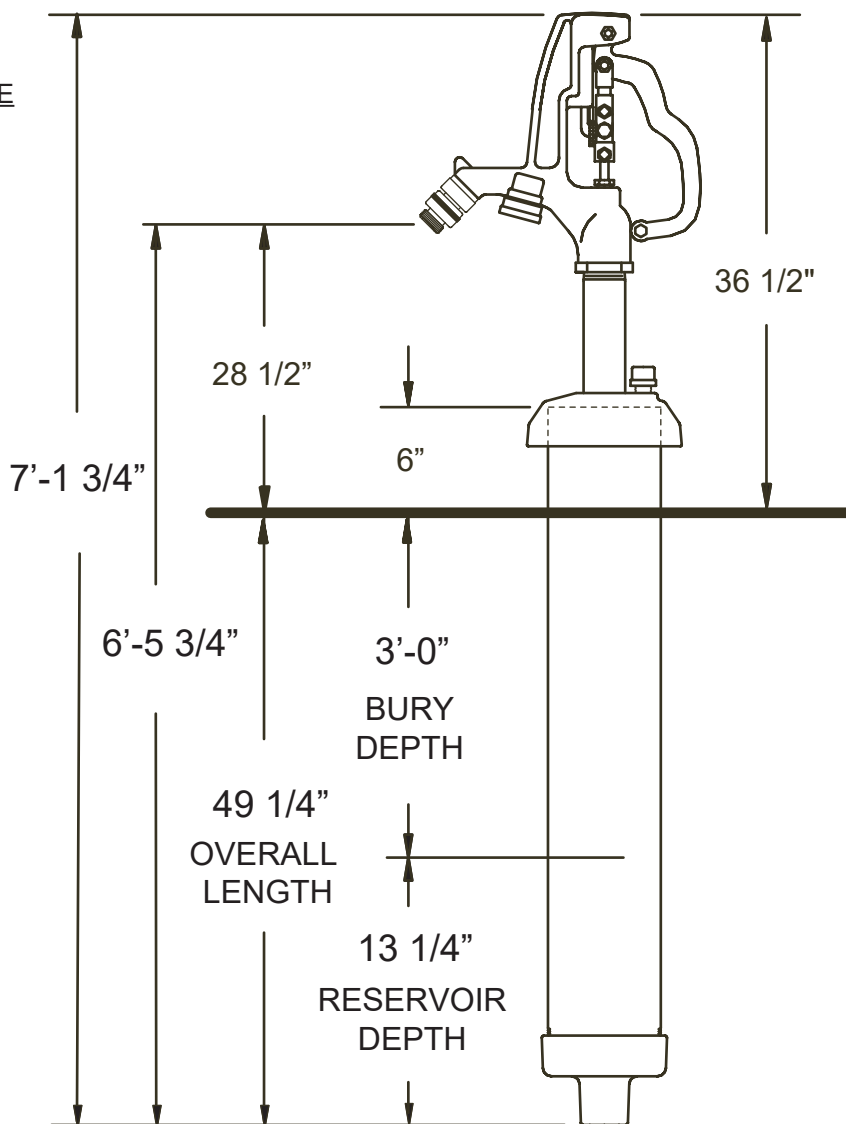
CUSTOMER,

VERIFICATION MUST BE RECEIVED BEFORE
ORDER CAN BE ENTERED FOR SHIPMENT.

PLEASE SIGN TO VERIFY
S3-3FT. BURY
MEETS YOUR REQUIREMENTS.

Customer Signature

Please print name and return to Woodford
email: sales@woodfordmfg.com



WOODFORD MANUFACTURING COMPANY, LLC.

2121 Waynoka Road, Colorado Springs, Colorado 80915 • Phone: (800) 621-6032 To view our complete product line visit: www.woodfordmfg.com or email: sales@woodfordmfg.com

Model S3-4

Order Verification Form

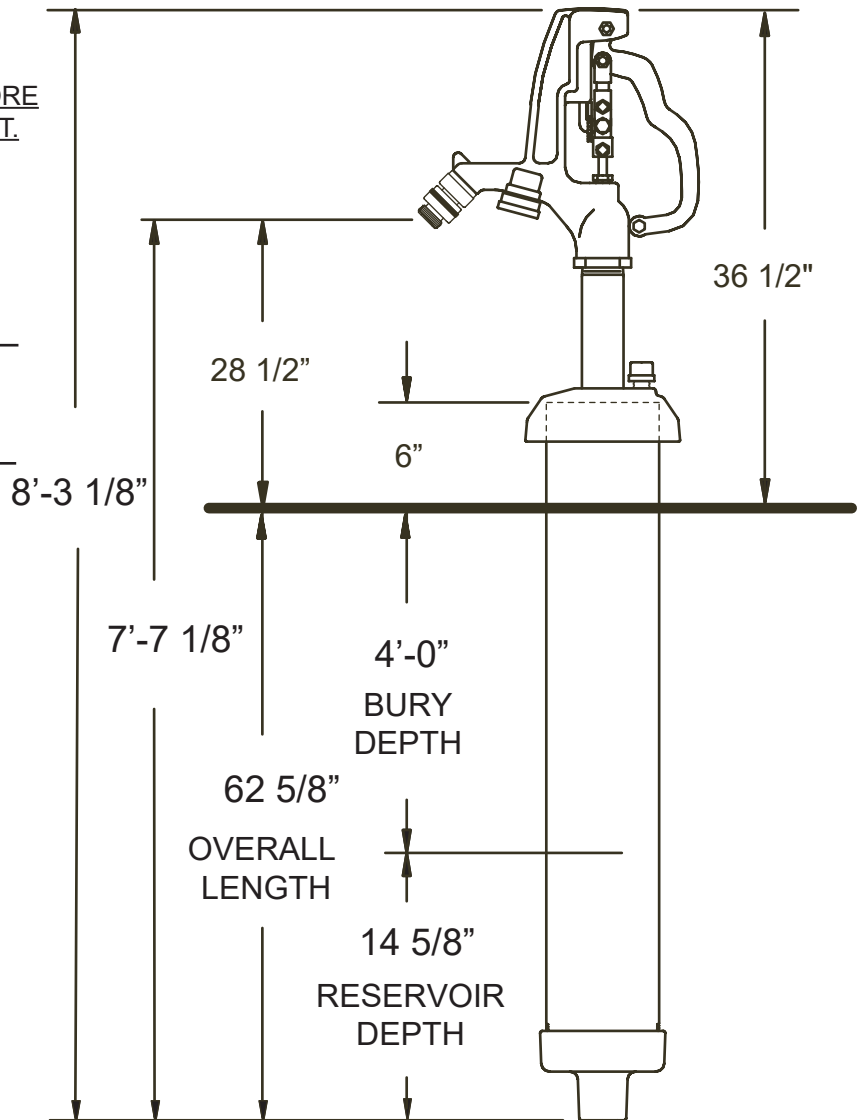
CUSTOMER.

VERIFICATION MUST BE RECEIVED BEFORE
ORDER CAN BE ENTERED FOR SHIPMENT.

PLEASE SIGN TO VERIFY
S3-4 FT. BURY
MEETS YOUR REQUIREMENTS.

Customer Signature

Please print name and return to Woodford
email: sales@woodfordmfg.com



WOODFORD MANUFACTURING COMPANY, LLC.

2121 Waynoka Road, Colorado Springs, Colorado 80915 • Phone: (800) 621-6032 To view our complete product line visit: www.woodfordmfg.com or email: sales@woodfordmfg.com

Model S3-5

Order Verification Form

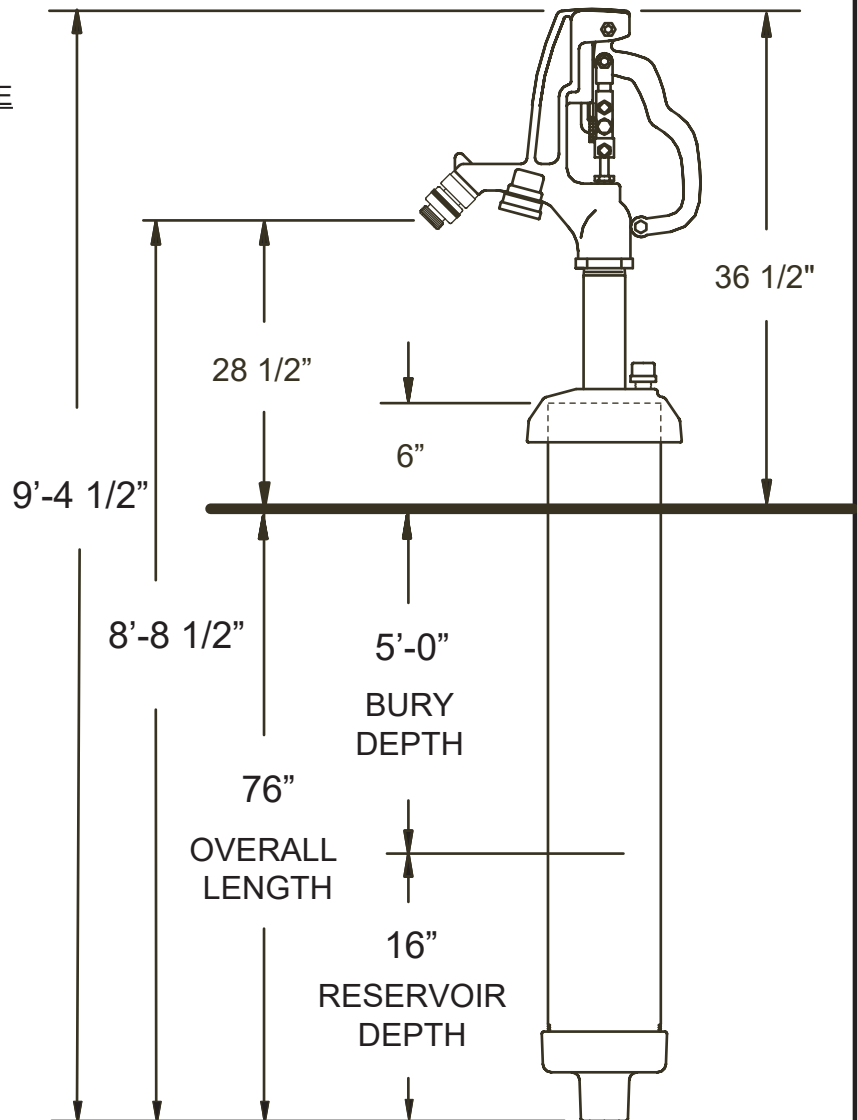
CUSTOMER.

VERIFICATION MUST BE RECEIVED BEFORE
ORDER CAN BE ENTERED FOR SHIPMENT.

PLEASE SIGN TO VERIFY
S3-5FT. BURY
MEETS YOUR REQUIREMENTS.

Customer Signature

Please print name and return to Woodford
email: sales@woodfordmfg.com



WOODFORD MANUFACTURING COMPANY, LLC.

2121 Waynoka Road, Colorado Springs, Colorado 80915 • Phone: (800) 621-6032 To view our complete product line visit: www.woodfordmfg.com or email: sales@woodfordmfg.com

Model S3-6

Order Verification Form

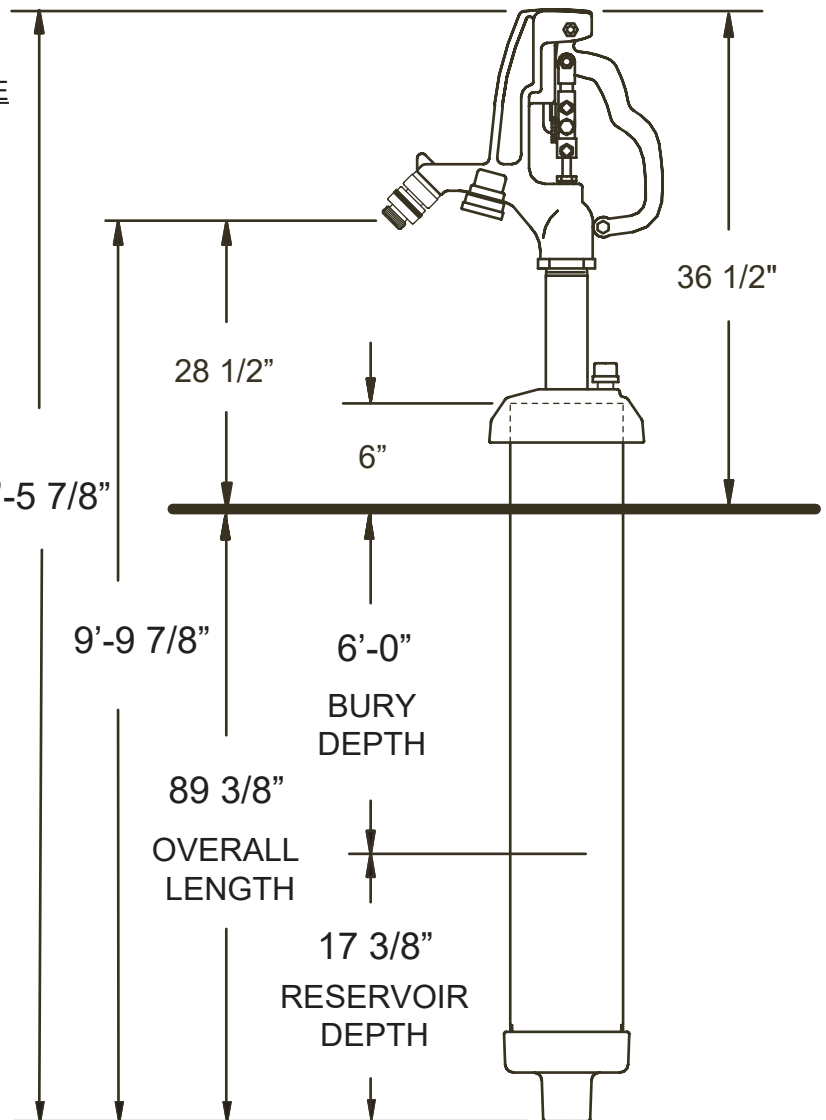
CUSTOMER,

VERIFICATION MUST BE RECEIVED BEFORE
ORDER CAN BE ENTERED FOR SHIPMENT.

PLEASE SIGN TO VERIFY
S3-6FT. BURY
MEETS YOUR REQUIREMENTS.

Customer Signature

Please print name and return to Woodford
email: sales@woodfordmfg.com



WOODFORD MANUFACTURING COMPANY, LLC.

2121 Waynoka Road, Colorado Springs, Colorado 80915 • Phone: (800) 621-6032 To view our complete product line visit: www.woodfordmfg.com or email: sales@woodfordmfg.com

Model S3-7

Order Verification Form

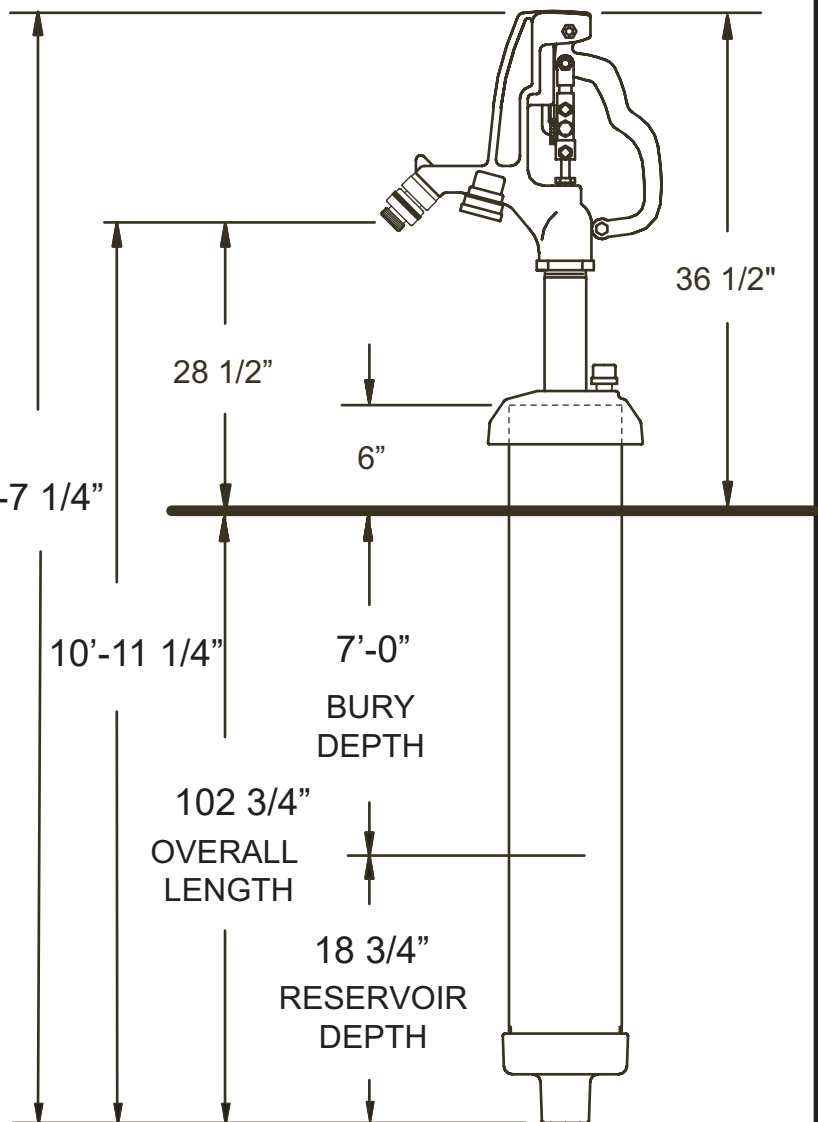
CUSTOMER,

VERIFICATION MUST BE RECEIVED BEFORE
ORDER CAN BE ENTERED FOR SHIPMENT.

PLEASE SIGN TO VERIFY
S3-7FT. BURY
MEETS YOUR REQUIREMENTS.

Customer Signature

Please print name and return to Woodford
email: sales@woodfordmfg.com



WOODFORD MANUFACTURING COMPANY, LLC.

2121 Waynoka Road, Colorado Springs, Colorado 80915 • Phone: (800) 621-6032 To view our complete product line visit: www.woodfordmfg.com or email: sales@woodfordmfg.com