

For Commercial Applications

Job Name _____ Item Designation _____

Job Location _____ Contractor _____

Engineer _____ Representative _____

Wall Thickness: _____ Inlet: P__ C__ (P1__ EP__ *MADE TO ORDER, NO RETURN*) Finish: CH__ BR__ PB__

Woodford Model 65

Anti-Siphon Protected Automatic Draining Freezeless Wall Hydrant

The Model 65 is an automatic draining, freezeless wall hydrant with hose connection Anti-Siphon Vacuum Breaker. The hydrant drains as handle is shut off, *even if hose is attached*. The Model 65 is designed to blend in with modern architecture for installation on restaurants, schools, office buildings, churches, apartments, motels, stores, shopping centers and industrial buildings.

Sizes: 4" - 24" (in 2" increments)
CC (Close Coupled) for non-freezing climates

Features:

- Drain port under nozzle diverts water away from building
- Red Brass head & valve body
- 3/8" solid brass operating rod
- Copper casing tubes
- Hardened stainless steel operating stem
- One piece valve plunger
- 4 inlet options
- Loose tee key operation
- No Lead Solder - All joints
- Supplied with adjustable wall clamp

Specifications:

• Hydrant plus vacuum breaker is ASSE Standard 1019-B approved.

• HOSE CONNECTION VACUUM BREAKER:

- NIDEL® Model 34HA with 3/4 inch male hose thread
- ASSE Standard 1011 approved
- IAPMO® listed
- Meets Government Specification WW-P-54 1b
- Single check valve

• **Maximum Working Pressure:** 125 p.s.i.

• **Maximum Temperature:** 120° F

Specify as follows:

Wall hydrant shall be Woodford Model 65, automatic draining with anti-siphon vacuum breaker. ASSE Standard 1019-B approved. 3/4" inlet and outlet (specify type of inlet). Hardened stainless steel operating stem and one-piece valve plunger to control both flow and drain functions. Exterior finish to be Chrome Plated (options: Polished Brass or Rough Brass). Loose tee key to be furnished with each hydrant. Wall thickness to be _____ inches.

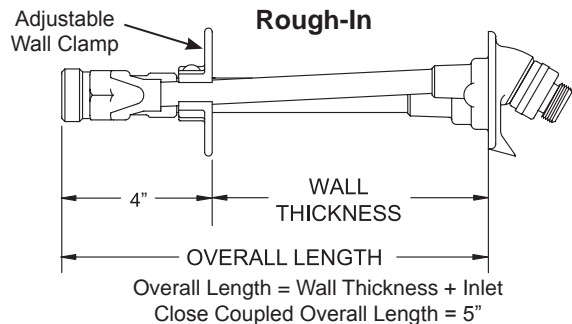


Exterior Finish:

Standard - Chrome (CH)

Optional - Brass (BR) Polished Brass (PB)

Fits one standard modular brick course.



Inlet Options

P - 3/4" Female Pipe Thread

P1 - 1" Male Pipe Thread

C - 3/4" Copper Water Tube

EP - Union Elbow with 3/4" Male Pipe Thread



WOODFORD MANUFACTURING COMPANY

2121 WAYNOKA ROAD

COLORADO SPRINGS, CO 80915

Phone (800) 621-6032 Fax (800) 765-4115

Website: www.woodfordmfg.com

Email: sales@woodfordmfg.com